

Halocorder

High-resolution 360° Analogue Recorder



ONCAM
GRANDEYE

Retrospective scene analysis as though it was live

- High-resolution recording for the Halocam-R 360° analogue camera
- Complete 3-megapixel fisheye view
- Independent virtual camera (vCam) PTZ functionality around the scene
- 7x optical-equivalent zoom without loss of detail
- Activate motion detection and tracking on recorded footage/image
- record images at up to 4 fps
- View forward or backward at up to 32x speed or by single step
- Navigable timeline provided with zoom and colour-coded events for ease of location

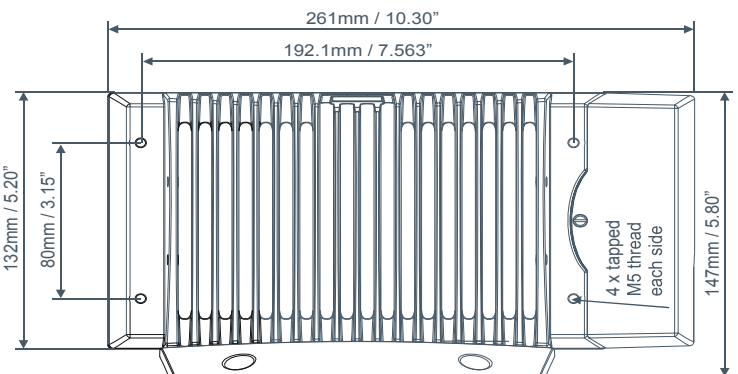
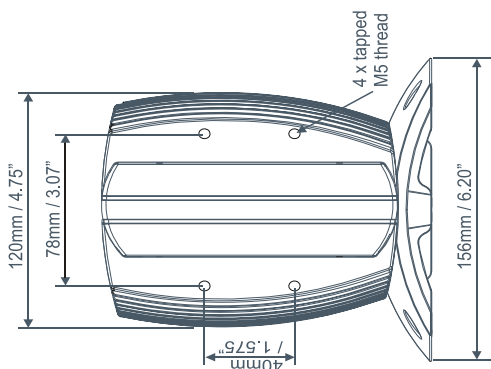


Sufficient storage capacity

- 400/750GB storage capacity
- Several months storage for event-based recording
- Up to two weeks storage for continuous recording, depending on lighting conditions, frame rate and quality - all user options
- Self-contained CD/DVDs can be generated which included a simple interface for retrospective playback and complete vPTZ of surveillance footage

Convenient playback via Halocam-R camera or PC

- Recording is continuous and uninterrupted during playback; nothing is lost
- Search by time and date, or by event
- Playback via Halocam-R camera using standard CCTV controller
- Playback locally or remotely as it is IP-enabled for connections to PCs over standard TCP/IP network
- Oncam Grandeye Haloviewer software (included) allows video viewing, downloading and archiving
- Downloading can be continuous, scheduled or manual (event-based) as desired
- Able to protect defined events or sections from erasure
- Halocorder must be located within 3 metres (10 feet) from Halocam-R



Oncam Grandeye | 115 Hammersmith Road, London W14 0QH, UK | www.oncamgrandeye.com | t: +44 (0) 207 371 6640 | e: sales@oncamgrandeye.com

Copyright 2012 by Oncam Global Group AG. Oncam Grandeye is the trading name of Oncam Global Group AG. All rights reserved. All screen images are simulated. Specifications and configurations subject to change without notice. IPZoom and the IPZoom logo are trademarks of Oncam Global Group AG (and its affiliates). SATIV is a service mark of Oncam Global Group AG (and its affiliates). The names of companies, entities, organizations and/or products/services mentioned herein may be the trademarks of their respective owners.

Halocorder

High-resolution 360° Analogue Recorder



HALOCORDER TECHNICAL SPECIFICATIONS		
Model	GE-A-002	GE-A-003
General		
Retrospective pan and tilt	Yes—see a full 360° after the fact	
Retrospective zoom	Yes—approximately 7x optical-equivalent zoom after the fact	
Retrospective video analytics	Yes—carry out motion detection and tracking after the fact	
Playback	Yes—play forwards, backwards, up to 32x	
Single frame stepping	Yes—forwards and backwards	
Graphical timeline	Yes	
Time and date searching	Yes	
Event searching	Yes	
Event locking	Yes—protect user-definable sections and/or events from erasure including Pelco-P/D, protocol autosensing	
Motion detection/tracking	Yes (accessed via camera)	
Password protection	Yes	
Resolution	3-megapixel	
Storage capacity	Event-based: up to several months. Continuous: up to several weeks dependent on lighting conditions, frame rate and quality (user selectable). 400GB continuous rated hard disk drive example: ~5 days from continuous recording (24/7), 4fps, highest quality, with 300 lux lighting conditions.	Event-based: up to several months. Continuous: up to several weeks dependent on lighting conditions, frame rate and quality (user selectable). 750GB continuous rated hard disk drive example: ~8 days from continuous recording (24/7), 4 fps, highest quality with 300 lux lighting conditions.
Continuous recording	Yes	
Event-based recording	Yes	
Scheduled recording	Yes	
Simultaneous record/playback	Yes	
Auto record on power-up	Yes	
Recording speeds	1, 2 or 4 frames per second	
Recording failure detection	Yes—on screen and/or via hardware output	
Recording tamper detection	Yes—384-bit hash proprietary authentication signature	
Record pre-post alarm	Yes—up to 30 seconds	
Control protocols	RS485: Pelco-P/D, Fastrax II, Vista PD. RS232: Bosch Autodome; all auto-sensing; via camera	
Time/date generator	Yes—including NTP time support; synchronized with camera	
Electrical		
Power source rating	24V AC/DC +/-10%, 2 Amps	
Power consumption	30W	
Mechanical		
Mounting	Upright, within 3 metres (10 feet) of the Halocam-R camera	
Weight	3.5kg (7.75lbs)	
Size	L x W x H: 261 x 147 x 156mm (10.28" x 5.79" x 6.14")	
Camera input	1 Halocorder per Halocam-R camera	
Environmental		
Operating temperature range	5 to 35 °C (41 to 95 °F); 5 to 40 °C (41 to 104 °F) with forced air flow (e.g. external fan)	
Storage temperature range	-10 to +60°C (14 to 140°F)	
Video		
Video compression	Proprietary format, user-selectable rate	
Video format	PAL or NTSC (via camera)	
Certifications/Ratings/Patents/Products		
Patents	15 patents; 15 patents pending; 20 licensed patents	
Approvals	EMC: (CISPR Class A) FCC; CE; UL2044 (2043 with conduit kit)	
Other related products	24V power supply for Halocorder; Halocam-R 3MP analogue camera	

Oncam Grandeye | 115 Hammersmith Road, London W14 0QH, UK | www.oncamgrandeye.com | t: +44 (0) 207 371 6640 | e: sales@oncamgrandeye.com

Copyright 2012 by Oncam Global Group AG. Oncam Grandeye is the trading name of Oncam Global Group AG. All rights reserved. All screen images are simulated. Specifications and configurations subject to change without notice. IPZoom and the IPZoom logo are trademarks of Oncam Global Group AG (and its affiliates). SATIV is a service mark of Oncam Global Group AG (and its affiliates). The names of companies, entities, organizations and/or products/services mentioned herein may be the trademarks of their respective owners.