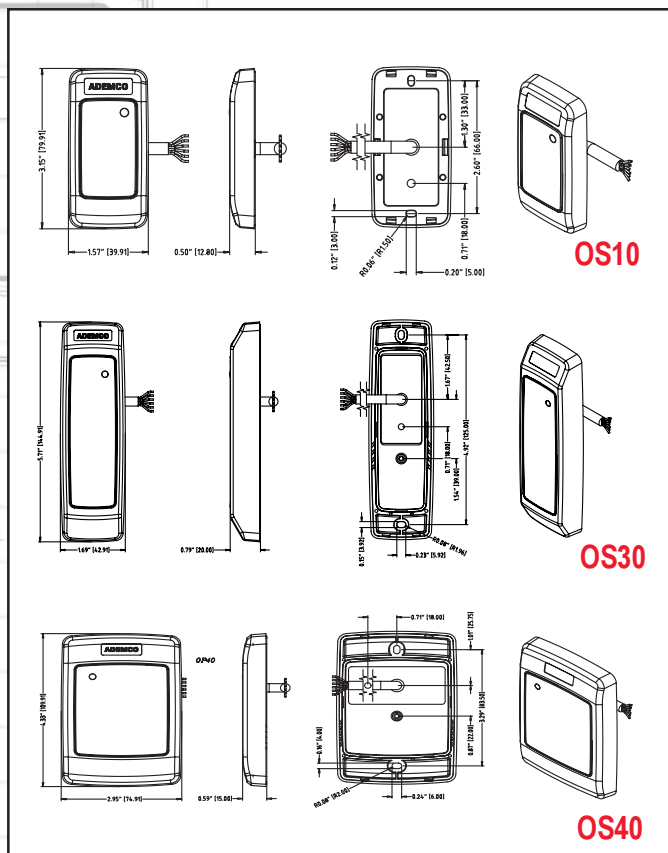


OmniSmart™

Contactless Smart Card Readers (MODELS: OS10, OS30, OS40)



OmniTek's new entry into the reader family is the OmniSmart™ series. OmniTek offers the OmniSmart family of readers in three models: OS10™, OS30 and OS40™. These readers are Contactless Smart Card Readers that offer superb reliability, consistent read range and low power consumption in an easy to install package. Remarkably cost-effective, the feature rich OmniSmart family installs and operates just like a 125 KHz Proximity Reader but with all of the advantages offered by Smart Card Technology.

OmniSmart Readers are "multi-standard" accepting cards that conform to ISO 14443A, 14443B or 15693 making it the reader of choice and reducing obsolescence.

OmniSmart Readers are highly optimized to work with Inside Contactless PicoTag™ and PicoPass™ cards resulting in card read distances similar to 125 KHz, large data storage densities of 2K or 16K bits, extremely high security, and the ability to support multiple applications on each card at the same time.

KEY FEATURES

- Read range: up to 4" (10 cm)
- Multiple sizes and switch plate size
- ADA compliant built-in audible buzzer
- Host LED control
- Tamper detect output (can erase security keys)
- Encrypted data exchange between card and reader
- Optional encrypted Wiegand data stream from reader to host
- Handspring Visor™ PDA or control cards can be used to manage security keys and change operating characteristics of the reader
- Hidden mounting screws deter vandalism
- Potted for superior weather resistance
- Selectable Wiegand, Clock & Data, or Serial TTL output
- Three covers included with every reader; Black, Charcoal and Ivory

Note: OS10 and OS40 models are available January, 2003.

Contactless Smart Card Readers



www.omnitek.com
3.8 cm

OT5000 rev0802



OmniSmart™ Contactless Smart Card Readers

Specifications

	OS10*	OS30	OS40*
Dimensions	3.15 x 1.57 x 0.50 in. 80 x 40 x 12.8 mm	5.71 x 1.69 x 0.79 in. 145 x 43 x 20 mm	4.33 x 2.95 x 0.59 in. 110 x 75 x 15 mm
Max. Read Range¹	2 – 2.5 in. (5.1 – 6.4 cm)	2.5 – 3.75 in. (6.4 – 9.5cm)	2.5 – 3.5 in. (6.4 – 8.9 cm)
Frequency	13.56 MHz		
ISO Standard Support	14443A, 14443B, and 15693		
Reads:	PicoTag™, PicoPass™ Card Serial Number Only: iClass™, Mifare®, i•Code®, TagIt™, my-d™, and other ISO compliant mfrs.		
Key Length (PicoTag)	64-bit secret key; 32-bit challenge, 32-bit response.		
Data Encryption	Available between card and reader and between reader and host		
Regulatory Approvals	USA: FCC part 15B, Europe: CE (UL294 applied for)		
Operating Temperature	-25°F to 145°F (-31°C to 63°C)		
Operating Humidity	0 to 100%		
Power Supply Type	Linear or Switching (Ripple < 30 MHz, max 50 mVss)		
Operating Voltage Range	5 – 16 VDC (works down to 4.25 VDC)		
Current:	31 mA standby, 35 mA Max.		
Tamper Output:	Open collector, active low, max. sink current is 30 mA. Can automatically erase security keys when tampered		
Output Interfaces (all built-in)	Wiegand, Clock & Data, or Serial TTL		
Warranty	Limited lifetime warranty		

Note: OS10 and OS40 models are available January, 2003.

¹ Actual operating distance will vary depending on installation environment and proximity to metal.

Ordering Information

Part #	Style	Read range	Interface	Case Color
OS10-SWM	Mini-mullion	Up to 2.5" (6.4 cm)	Wiegand	Black, Charcoal, Ivory
OS30-SWM	Mullion	Up to 3.75" (9.5 cm)	Wiegand	Black, Charcoal, Ivory
OS40-SWM	Switch Plate (US)	Up to 3.5" (8.9 cm)	Wiegand	Black, Charcoal, Ivory

OmniSmart™ is a trademark of OmniTek.

iClass™ is a trademark of HID Corporation.

PicoTag® and PicoPass® are registered trademarks of Inside Contactless.

TagIt™ is a trademark of Texas Instruments Incorporated.

Mifare® and i•Code® are registered trademarks of Philips Electronics N.V.

my-d is a trademark of Infineon Technologies AG.

Visor™ is a trademark of Handspring, Inc.



149 Eileen Way • Syosset, NY 11791

Toll Free: 877.495.0996 • Fax: 716.564.2052 • www.omnitek.com