

OmniProx™

OP20 Proximity Card Reader



OP20

Available to Qualified OEMs Only

Specifications

Electrical Characteristics:

Power Supply Type:

Linear type recommended

Operating Voltage Range

4.75 - 16 VDC

Absolute Maximum (non-operating):

18 VDC

Tamper Output:

Open collector, active low,
max. sink current is 30 ma

Maximum Cable Distance to Host:

500 ft. (150 meters)

Card Read Distance:

Up to 3.5" (8.9 cm)

OmniTek's OP20 proximity card reader offers superb reliability, consistent read range and low power consumption in an easy to install package. Remarkably cost-effective, the feature-rich OP20 is available in an HID™ compatible card format as well as an ADEMCO compatible card format. For qualified OEMs, custom and proprietary card formats up to 185 bits are available. The OP20 provides benefits and features rarely found in readers in this price range.

OmniTek's HID™ compatible OP20 contains the same valuable, unique design features as the OP10, but it's sleek design allows for longer reading distance - perfect for applications when greater range is a requirement.

Key Features

- Typical read range: 3.5"
- Mullion size
- ADA compliant built-in audible buzzer
- Host LED Control and Tamper Output
- Low-cost option allows molded-in company logo
- Hidden mounting screws deter vandalism
- Potted for superior weather resistance
- Wiegand Output
- Genuine HID™ compatible
- ADEMCO compatible versions available
- Three covers included with each reader; Black, charcoal and ivory

Environmental Characteristics:

Operating Temperature Range:

-25° F to 145° F (-31° C to 63° C)

Operating Humidity:

0 to 95% (non-condensing)

Regulatory Approvals:

USA: UL294, FCC Part 15B

Europe: CE

Warranty:

Limited lifetime warranty



OMNITEK

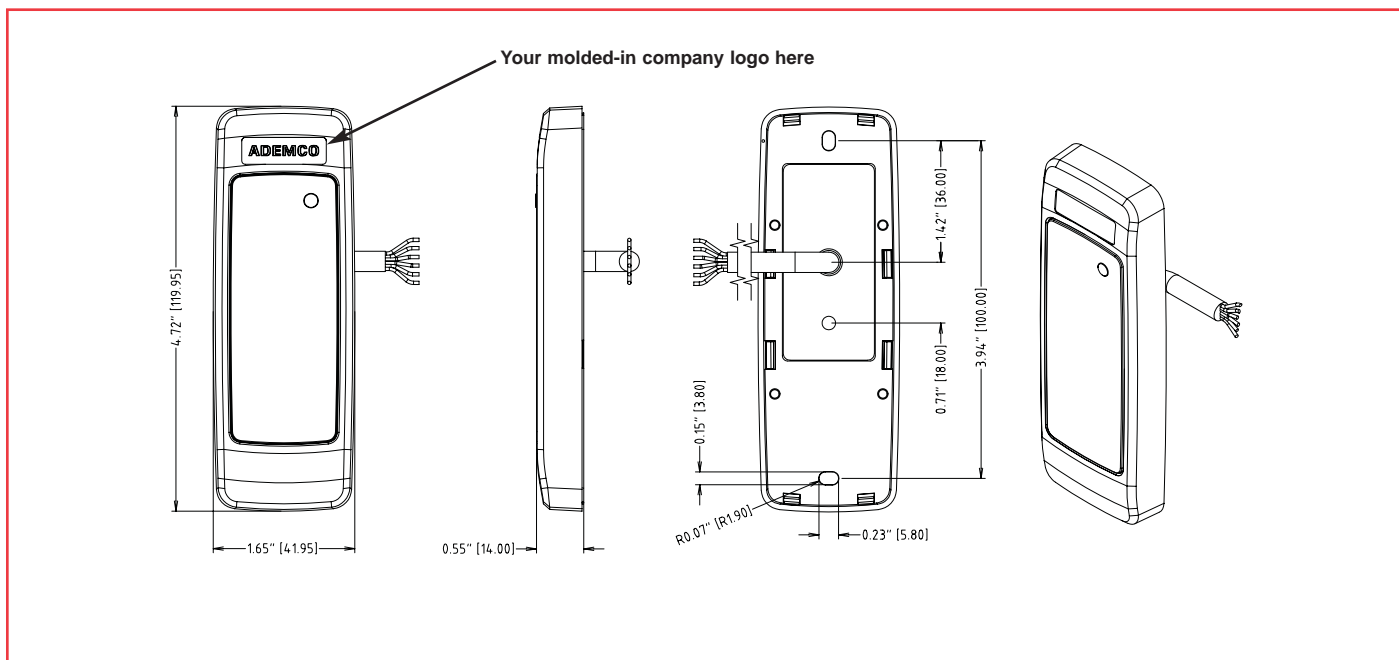
An ADEMCO Group Company

www.omniprox.com

OPDS50004 rev0101

OmniProx™

OP20 Proximity Card Reader



Ordering Information

Part #	Read Range	Interface	Case Color	Card Type
OP20-FWM	3.5" (8.9 cm)	Wiegand	Black, Charcoal, Ivory	HID
OP20-AWM	3.5" (8.9 cm)	Wiegand	Black, Charcoal, Ivory	ADEMCO

Genuine



OmniProx models with HID compatibility are capable of reading genuine HID cards under the term of a license agreement between HID and the ADEMCO Group. HID is a licensed trademark of HID Corporation.

Compatible



OMNITEK
An ADEMCO Group Company



149 Eileen Way • Syosset, NY 11791
Toll Free: 877.495.0996 • Fax: 716.564.2052 • www.omniprox.com

OmniProx ADEMCO ©2001 Pittway Corporation