

OmniProx™

OP05 Proximity Module



Available to Qualified OEMs Only

Specifications

Electrical Characteristics:

Power Supply Type:

Linear type required

Operating Voltage Range

5 volts, regulated DC

Absolute Maximum (non-operating):

6 VDC

Power Consumption:

36 mA average

Output Levels:

TTL

Operating Frequency/Modulation Method:

125 kHz, ASK

Card Read Distance:

Up to 2.0" (5 cm)

Dimensions:

7/8" diameter x 3/8" height (23 x 9 mm)

7.3 cm
(2 7/8")

OmniTek's OP05 proximity module is designed for OEMs to be easily integrated into existing products such as card readers, keypads, biometric devices, time & attendance terminals, cash registers, etc.

The OP05 is a complete proximity reader including built-in antenna and is designed to be directly mounted to a PCB. Simply provide regulated 5 volts DC and, when a card is read, the OP05 outputs the data in Wiegand or clock and data TTL level formats. Custom and proprietary card formats up to 185 bits are available.

Featuring very low power consumption, consistent read range, and an extremely small package, the OP05 is priced competitively to meet tight budgets.

The OP05 reader module is epoxy potted which allows for both indoor and outdoor applications requiring all-weather performance. Additionally, the epoxy potting provides anti-tamper protection.

Construction Materials:

Flame retardant Polycarbonate - UL 94 V0

Flame retardant epoxy potting - UL94

FR4 Flame retardant PCB

Environmental Characteristics:

Operating Temperature Range:

-25° F to 145° F (-31° C to 63° C)

Operating Humidity:

0 to 95% (non-condensing)

Regulatory Approvals:

USA: UL294, FCC Part 15B

UK: DTI (MPT 1337)

Europe: CE

Germany: BZT

Warranty:

Limited lifetime warranty

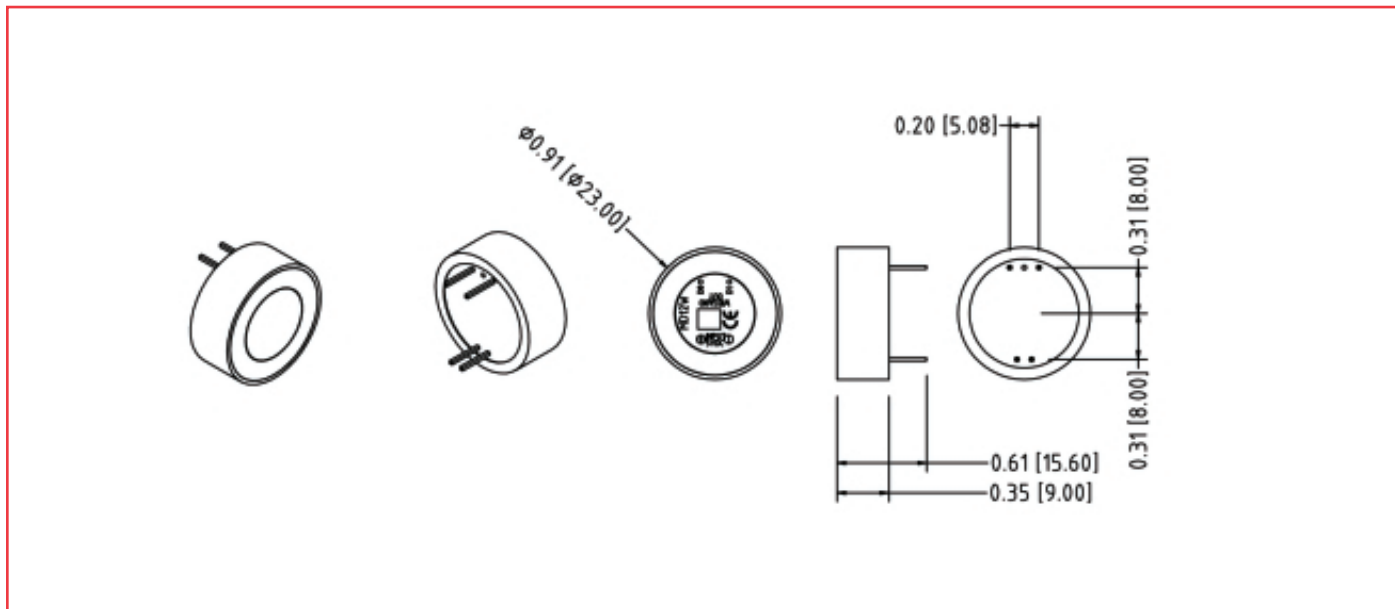


OMNITEK

An ADEMCO Group Company

OmniProx™

OP05 Proximity Module



Ordering Information

Part #	Read Range	Interface	Case Color	Card Type
OP05-AWB	Up to 2.0" (5.0 cm)	Wiegand	Black	ADEMCO
OP05-ACB	Up to 2.0" (5.0 cm)	Clock & Data	Black	ADEMCO



149 Eileen Way • Syosset, NY 11791
Toll Free: 877.495.0996 • Fax: 716.564.2052 • www.omniprox.com



OmniProx ADEMCO ©2001 Pittway Corporation