



SURVEYOR PANNING CAMERA HOUSING

SV24H: 24vAC

SV240H: 240vAC

MC64/I: 24v Controller

HHB: Housing Bracket

JHB: 'J' Bracket

Available in 24vAC or 240vAC versions, the Surveyor camera housing incorporates a panning camera platform enclosed within a heated environmental housing designed to IP65 standard. The unit will accommodate most compact CCD cameras with fixed lenses. With the adjustable camera sweep a standard fixed 1/2" 6mm lens will give a panning field of view of approximately 88°, ideal for garage forecourts, loading bays, yards, car parks etc.

The unit is of a rigid aluminium construction with stainless steel external fastenings and mounting bolts. By opening the rear latch the cover may be removed to allow easy access to the internal components. The panning mechanism tray may be completely removed for bench testing and can be easily secured within the housing by the use of two M4 tamperproof screw (see diagram). A pluggable connector is provided for ease of assembly, testing and servicing. Cable access is via two cable glands to provide weatherproof entry and strain relief.

A 24 volt Scan Controller, the MC64/I is available as a desk top or plinth mounted unit designed to provide individual on/off control for up to four Surveyor housings. The MC64 will provide adequate power for a total of four Surveyor housing motors and incorporates an optional switcher follower function allowing motors to be brought into use as each camera is selected, either manually or automatically

- Internal Panning Platform -
Increases field of view
by up to 70%
- Tamperproof Option
- Aluminium Construction
- Stainless Steel Fixings
- Ideal for observation of:
Garage Forecourts,
Car Parks,
Loading Bays, Yards,
Shopping Precincts,
Railway Stations

Mechanical Specification

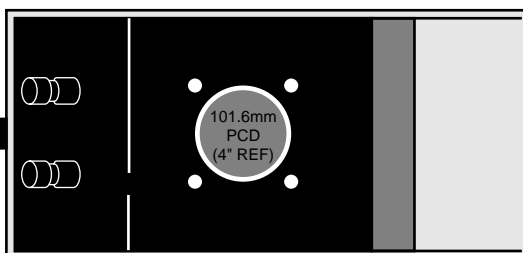
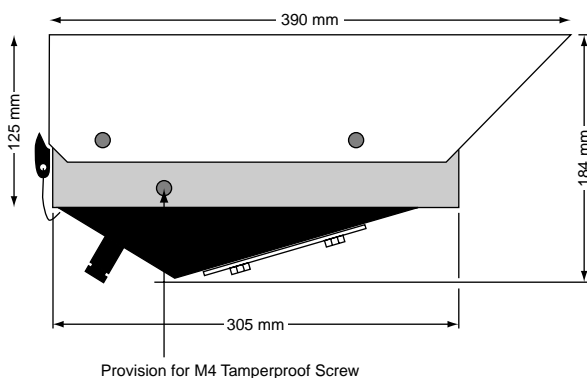
	L	W	H
Size (Internal) mm	300	165	117
Max camera & lens length	190		
Max camera height			84
Weight	2.875 kg		
Colour	White sunshield, grey body, black base		
Construction	Aluminium body & sunshield, with stainless steel fixings		
Protection Rating	IP65		
Clear viewing area		144	75
Sweep cycle	Full rotation: 30 seconds		
Bracket fixing	4" PCD		
HHB	380		
JHB	255		450

Electrical Specification

Input voltage	24v or 220/240v
Motor, synchronous 2 rpm	130mA @24v
	13mA @ 240v
Heater 24v	30mA nominal
	Power on, up to 3A @ 24v
Heater 240v	3mA nominal
	Power on, up to 300mA @ 240v
Termination	8 position pluggable terminal strip
Cable entry	Weather resistant for two separate cables
MC64 Control Cable (up to 200m)	2 core power cable type BS6500 Std 21927

Example Viewing Angle

1/2" Lens	Field of view	Lens & Surveyor on min sweep	Lens & Surveyor on max sweep
6mm	58°	73°	
6mm	58°		88°
8mm	43°	58°	
8mm	43°		73°



Not to scale



The MC64 Scan Controller will power up to four Surveyor housing motors.