



GYRO 200 SERIES - CAMERA DOMES



Continuous rotation is a standard feature of the Nortek range of discreet camera domes. At just 250mm in diameter the Gyro 200 range of pan and tilt domes are designed to house compact cameras up to 165mm in length (including terminations). The easy to install units provide smooth, silent, trouble-free operation and can be mounted internally or externally. Each external dome has a fan and heater fitted and are rated to IP65. The smoked outer dome, constructed from a rigid 3mm neutral density blown acrylic, allows distortion free viewing with a slotted black ABS inner shroud providing complete anonymity of any camera and lens housed within. An optional clear outer dome is available. Colour reproduction is not affected in operation and light loss is only 1 f stop. A tilt angle of 100° is provided although a lesser angle may be achieved via a simple adjustment to the microswitch.

The problem of breaking cables is overcome by the use of slip rings which allow full and continuous 360° rotation. Three models of moving domes are available. The 200 series which offers manual pan or continuous rotation. The 201 series which has a manual, continuous rotation or random autopan function with three leds fitted to the moving plastic shroud to mimic manual operation (for in-store use for example).

The 202 series offers manual pan, continuous rotation or autopan functions. In this unit conventional autopan stops have been replaced with unbreakable magnetic sensors. As pan stops are only active during autopan the operator is able to take a short cut through the stops in manual mode if desired. All units are 24vAC powered and may be controlled by either a hardwired controller (see datasheet on PTZ60 controllers) or by most telemetry systems.

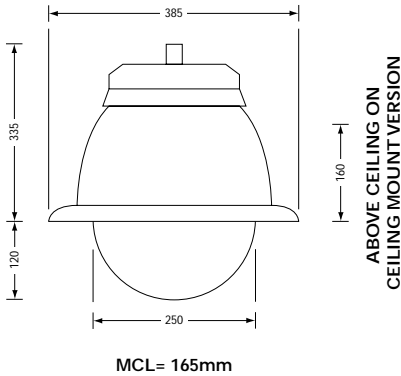
Each camera dome can be supplied in ceiling mount, flush mount, pendant or wall mounted styles. A range of brackets are available for mounting the units from a wall, corner or suspended from a solid or false ceiling although the unit may be screwed directly to a solid ceiling. The ceiling mount units are supplied with a ceiling tile which is designed to fit into a suspended ceiling. A matching static unit is available for internal or external use.

- CONTINUOUS ROTATION
- 100° TILT ANGLE
- INTERNAL / EXTERNAL
- NO MOVING CABLES
- FIXED DOME OPTION
- AUTOPAN / RANDOM PAN OPTION



GYRO-200 Range

MODEL SELECTION CHART



	Ceiling Mount	Pendant Mount	External	Manual Pan	Random Pan	Auto Pan	Pan Speed	Tilt Speed
GYRO 200 C/F	•						None (i.e. fixed)	None
GYRO 200 P/F		•						
GYRO 200 P/F/E		•	•					
GYRO 200 C	•			•			20° / Sec	12° / Sec
GYRO 200 P		•		•				
GYRO 200 P/E		•	•	•				
GYRO 201 C	•			•	•		15° / Sec	12° / Sec
GYRO 201 P		•		•	•			
GYRO 201 P/E		•	•	•	•			
GYRO 202 C	•			•		•	15° / Sec	12° / Sec
GYRO 202 P		•		•		•		
GYRO 202 P/E		•	•	•		•		

SPECIFICATION

Weight	F(Fixed) Series - 3.75kg / Moving Series - 4.5kg
Slip Rings	11 Way Phosphor Bronze on Stainless Steel
Mounting Coupling	32mm Standard
Auto Pan Stops	355° Maximum or Continuous rotation
Manual Pan Stops	None - continuous rotation
Tilt Angle from Horizontal plane	Up to 10° - Down to 100°
f Stop *	Loss of 1 f Stop with tinted dome
Motors	24Vac , 7VA (two motors)
Heater Power Requirement	24Vac at 500mA (after 1 minute), external models only
Camera Power Through Slip Rings	24v maximum
Limit Switches	Up to 10 ⁸ operations

* **Special Note:** although the acrylic domes are tinted under certain lighting conditions the position of the camera may be detectable. Light loss is normal with tinted domes and the curvature of the acrylic may cause internal reflection and slight deterioration of picture.