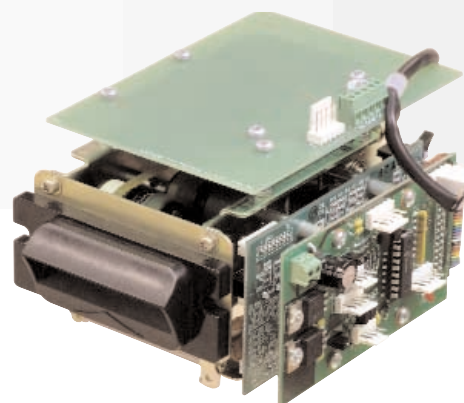
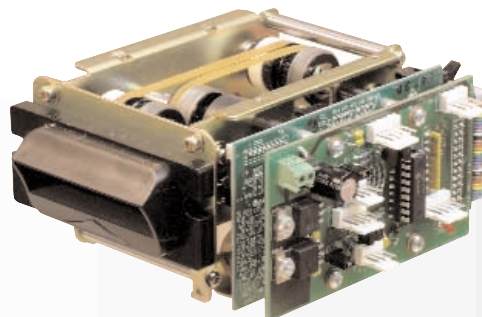


MOTORISED MAGNETIC & PROXIMITY READERS

THE MRC310 MOTORISED CARD CAPTURE READER/CONTROLLER IS A FRONT-END DEVICE THAT CAN BE INTEGRATED INTO PARKING CONTROL SYSTEMS, TURNSTILES OR CONNECTED AS AN OEM READER FOR ACCESS CONTROL APPLICATIONS. DATA ENCODED ON MAGNETIC STRIPE CARDS OR PROXIMITY CARDS IS READ BY THE MRC310 AND PASSED ONTO A CONTROLLER. THE CONTROLLER THEN MAKES THE DECISION AND SIGNALS BACK TO THE READER TO EITHER CAPTURE OR RETURN THE CARD, AND ALLOW OR DISALLOW ENTRY. BOTH MAGNETIC AND PROXIMITY MOTORISED READERS CAN BE HOUSED IN PEDESTALS, AVAILABLE IN BOTH SINGLE AND DUAL HEIGHT.



MRC310

MOTORISED MAGNETIC AND PROXIMITY READERS



CRHD-XXX

Features

MRC310-GEN

- Motorised magnetic stripe reader
- Reads ISO magnetic stripe
- Capture or return of cards after reading
- Robust and compact
- Outputs information encoded on cards

MRC310-XXX

- Reads ISO proximity or smart cards, depending on the reader attached.
- Capture or return cards after reading
- Robust and compact
- Output format, dependant on reader.

CRH-GEN / CRH-XXX

- Roadside pedestal complete with MRC310-GEN or MRC310-XXX reader.
- Powder coated universal pedestal
- Stainless steel faceplate with status indicator lamps.
- Built-in power supply unit.
- Option to include intercom call unit
- Supplied with all necessary ancillary components
- Available in output formats to suit most OEM control systems including CRC200 and CRC500.

Applications

- Health clubs
- Parking systems
- Video imaging system
- Golf clubs
- Visitor control
- Hospitals & conference control
- Auto car wash
- Fuel management
- Temporary contractor control

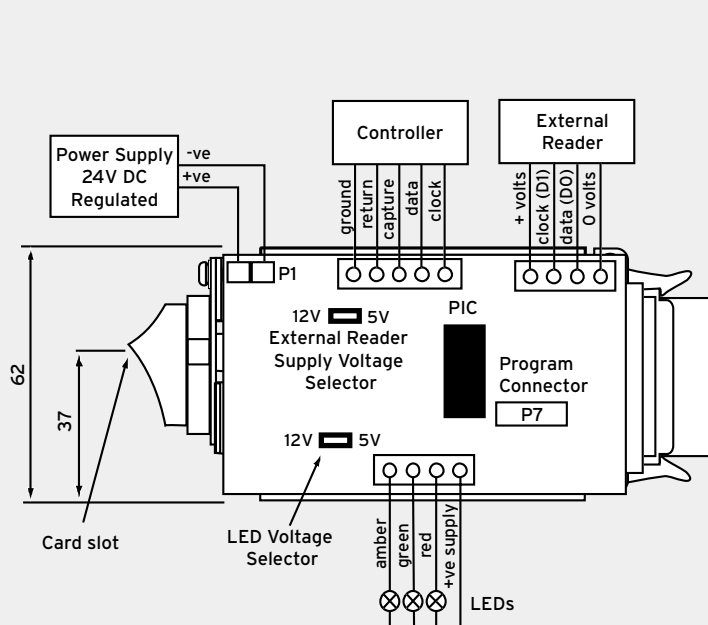


CRH-GEN

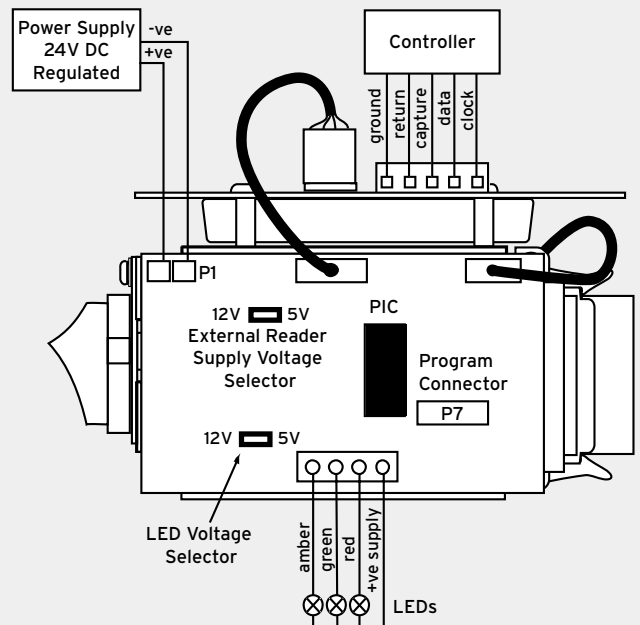


TECHNICAL SPECIFICATIONS

Motorised Reader - Magnetic Stripe



Motorised Reader - Proximity



Technical Specification

Power supply:	24V @ 1.88A
Card feeding speed:	40cm/sec (15.7"/sec)
Motor type:	DC motor
Operating temperature:	-5°C to +55°C
Storage temperature:	-25°C to +70°C
Operation humidity:	45% to 85% RH without condensation
Storage humidity:	20% to 90% RH
Size in mm (mag reader):	60 x 120 x 140 (H x W x D)
Size in mm (prox reader):	90 x 120 x 150 (H x W x D)
Size in mm (mag & prox cards):	86 x 54 (Standard ISO)
Current draw (mag)	80mA at rest, 350mA active
Current draw (prox)	100mA at rest, 450mA active
Weight (mag):	582g
Weight (prox):	754g

Order Information

MRC310-GEN:	Motorised Magnetic Card Reader available in output formats to suit most OEM Control Systems
MRC310-XXX:	Motorised Proximity or Smart Card Reader available in output formats to suit most OEM Control Systems XXX= HID=HID Proximity; IND=Indala Proximity; MIF= Mifare Proximity; LEG=Legic; DEI=Deister; ICL= iCLASS
CUST-FP:	Customised reader faceplate for MRC310-GEN or MRC310-XXX.
CRH-GEN:	Roadside Pedestal complete with MRC310-GEN reader.
CRHD-GEN:	CRH-GEN dual height with 2 x MRC310-GEN
CRH-XXX:	Roadside Pedestal complete with MRC310-XXX reader.
CRHD-XXX:	CRH-GEN dual height with 2 x MRC310-XXX

Supplied By:

Manufactured By:
 Nortech Control Systems Ltd
 42 Llantarnam Business Park
 Cwmbran, South Wales, UK, NP44 3AW
 Phone: +44 (0) 1633 485533
 Fax: +44 (0) 1633 485666
 email: info@nortechcontrol.com
 web: www.nortechcontrol.com

