

EntryProx

Stand - Alone Reader

1000 time-stamped transactions

Compatible with all HID proximity cards & keytags

Up to 2000 users

EntryProx provides single-door proximity access control for up to 2,000 users. It is ideal for small installations or remote locations when used in conjunction with an online system.



When users are prepared to upgrade to a fully functional online system, EntryProx can easily be switched to Wiegand output mode and connected to any of the Newmark system controllers.

Compatible with all 26-bit HID proximity cards or keytags, EntryProx can also enroll most OEM or "Corporate 1000" format cards and keytags up to 37-bits. A built-in keypad allows programming and PIN entry.

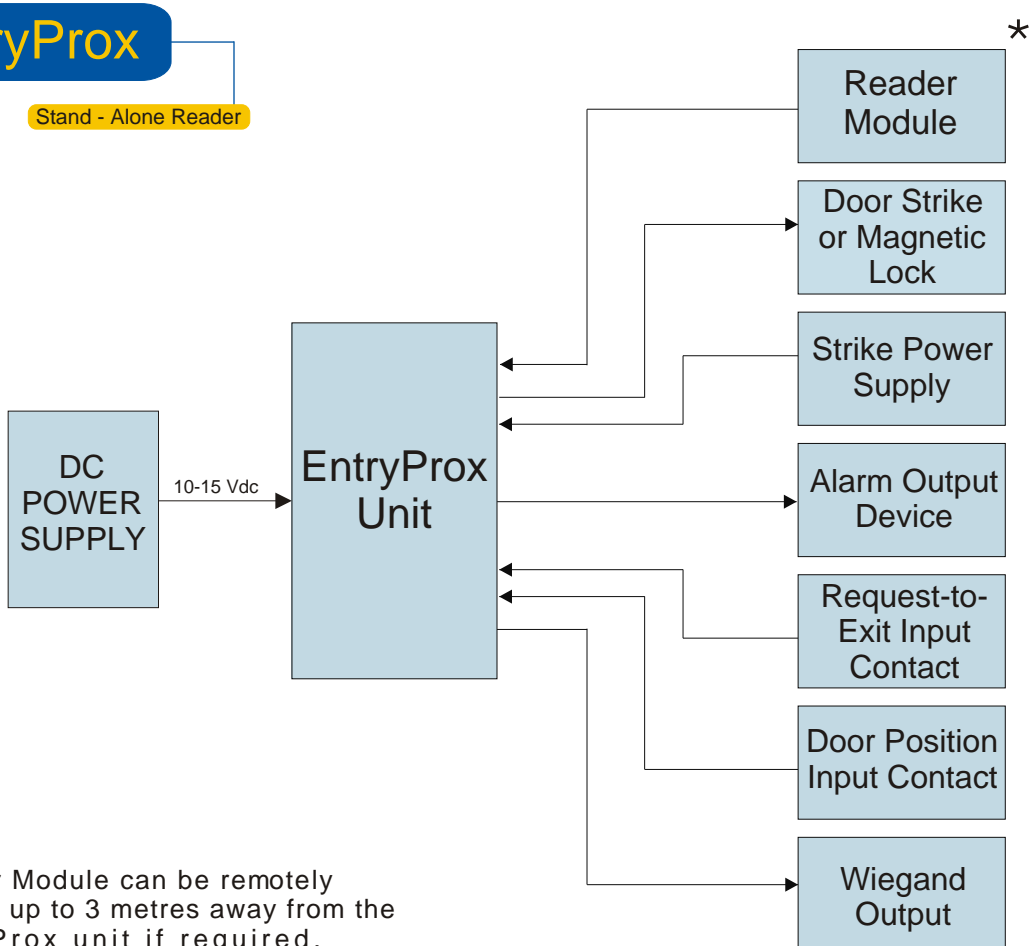
EntryProx features a unique option to detach the reader module. The reader module can be million mounted up to 10 feet away from the control unit located inside the secured area. The unit is rugged, attractive and can be installed outdoors.

Features

- ▶ Stores up to 2,000 users and 1,000 time-stamped transactions
- ▶ Provides a 12-position keypad for PIN entry or programming
- ▶ Offers optional use of card, PIN code, or card plus PIN code
- ▶ Prints transactions via IR Link to optional palmtop printer
- ▶ Transaction information includes time, date, user number and ID
- ▶ Indicates "door ajar" and "forced door" conditions with strike and alarm output relays
- ▶ Wiegand output mode for use with an access control panel
- ▶ Designed for indoor or outdoor use, can be glass mounted

EntryProx

Stand - Alone Reader



* Reader Module can be remotely located up to 3 metres away from the EntryProx unit if required.

Specification

Typical maximum * read range:

ProxCard II card	up to 7.5cm (3.0")
ISOProx II card	up to 6.25cm (2.5")
ProxKey II keyfob	up to 3.7cm (1.5")
ProxCard Plus card	up to 2.5cm (1.0")

* Depending on local installation conditions

Dimensions

H :13.33cm x W :6.98cm x D :3.49 cm
(5.25" x 2.75" x 1.375")

Power Supply / Current Requirements

10 - 15 Vdc, reverse voltage protected
Linear supply recommended
150 mA @ 12 Vdc

Relay Outputs

Strike Relay - Form C, switches up to 4A @30Vdc
Aux Relay - Form C, switches up to 1A @30Vdc

Monitor Inputs

Door Position - N.O. dry contact
Request to Exit - N.O. dry contact

Sounder

4000Hz, can be silenced

LED's

Bi-colour (Red/Green)
Amber
Infrared (use with optional palmtop printer)

Operating Temperature

-22° to 150° F (-30° to 65° C)

Operating Humidity

0% to 95% relative humidity non-condensing

Cable Distance

Remote Reader Module - 3 metres (10 ft)
Wiegand Interface - 152 metres (500 ft)
Recommended cable is 5 core shielded cable type ALPHA 1295C (24AWG) or Belden 9535

Operation

Strike Time : 1 - 99 seconds
Strike Mode : Access Timer or Toggle/Latch

Card Programming

OEM - Preset any HID card to enroll
26-bit - batch card enrollment

Facility Code Processing Options (26-bit only)

Check Facility Code and Card ID
Check Facility Code only (accept any ID#)