

Multiqey

The *Multiqey* Series offers the most flexible and lowest cost solution for single door access controllers yet devised. The flexibility and security of magnetic card entry is enhanced by the *Multiqey* product range.

Multiqey offers a higher level of security and usability than is normally associated with similar devices. This is achieved by all database locations being accessible individually to the Security Manager by the means of "Location Cards". Using this facility cards may be deleted, even when the original card, or a copy, are not available.

Multiqey caters for up to 1000 users and is perfect for applications such as Offices, Banks, Blocks of Flats, Private Car Parks, Storerooms etc.

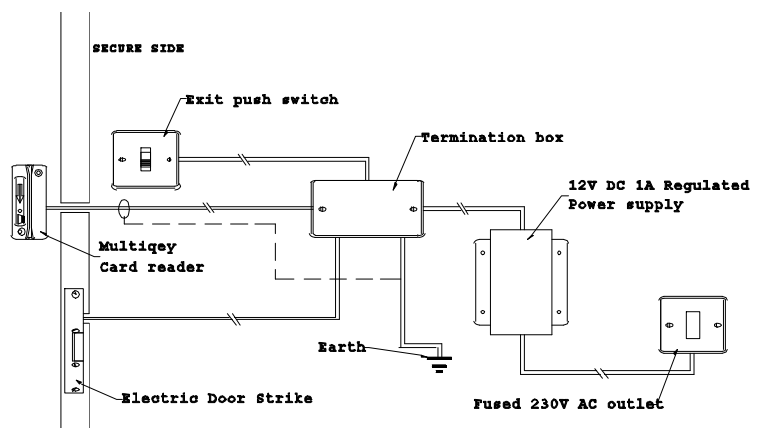
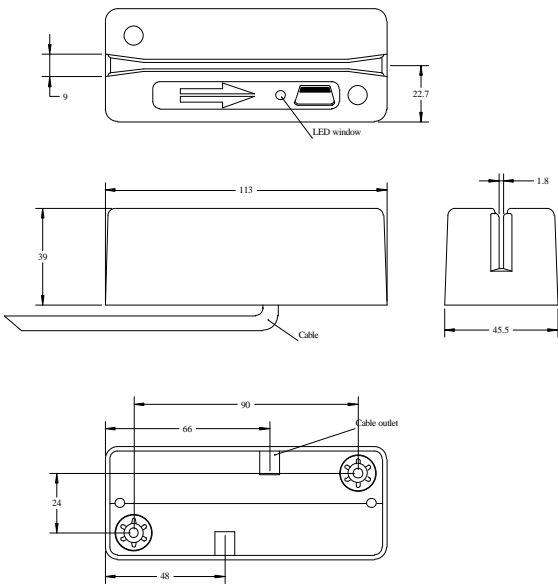
The rugged construction of the *Multiqey* Series ensures that operation indoors and outdoors is no problem. The rugged die cast cases offer excellent protection against attack and the high quality finishes ensure that they will harmonise in any environment.

Available as a individual unit or as part of the *Multiqey* Kit. The kit provides installers with everything they need for single door control. Designed to save time - the kit is quick to fit and ensures a quality security solution at an extremely competitive price.

The *Multiqey* Kit contains:-

- *Multiqey unit + packs of 50 cards - user and location*
- *Power Supply*
- *Electronic door-strike*
- *Exit switch*
- *Internal connector box*

Parameter	
Maximum Users	1000
Card Encoding	ISO Track 2
Coercivity	Hi or Low
Read Head	Magnetoresistive
Read Head	Heated
Read Head Life	>1,000,000 swipes
User Cards	Yes
No of Digits Checked	6
Shadow Cards	Yes
Location Cards	Yes
Card Speed	40-1500 mm/S
Relay Rating	1A 24Vdc
Lock Release Time	1 to 30 Secs
Inputs	Request to Exit
LED Indication	Red, Amber or Green
Logging Output	RS232 9600 baud
Print Out of Card Database	Yes
Die Cast Housing	Black or Chrome
Operating Temperature	-10°C to 55°C
Dimensions	113*45.5*39mm
Cable length	3 m
Power Supply	10.8 to 16V dc
Supply Current (Relay On)	<100mA



All dimensions in mm