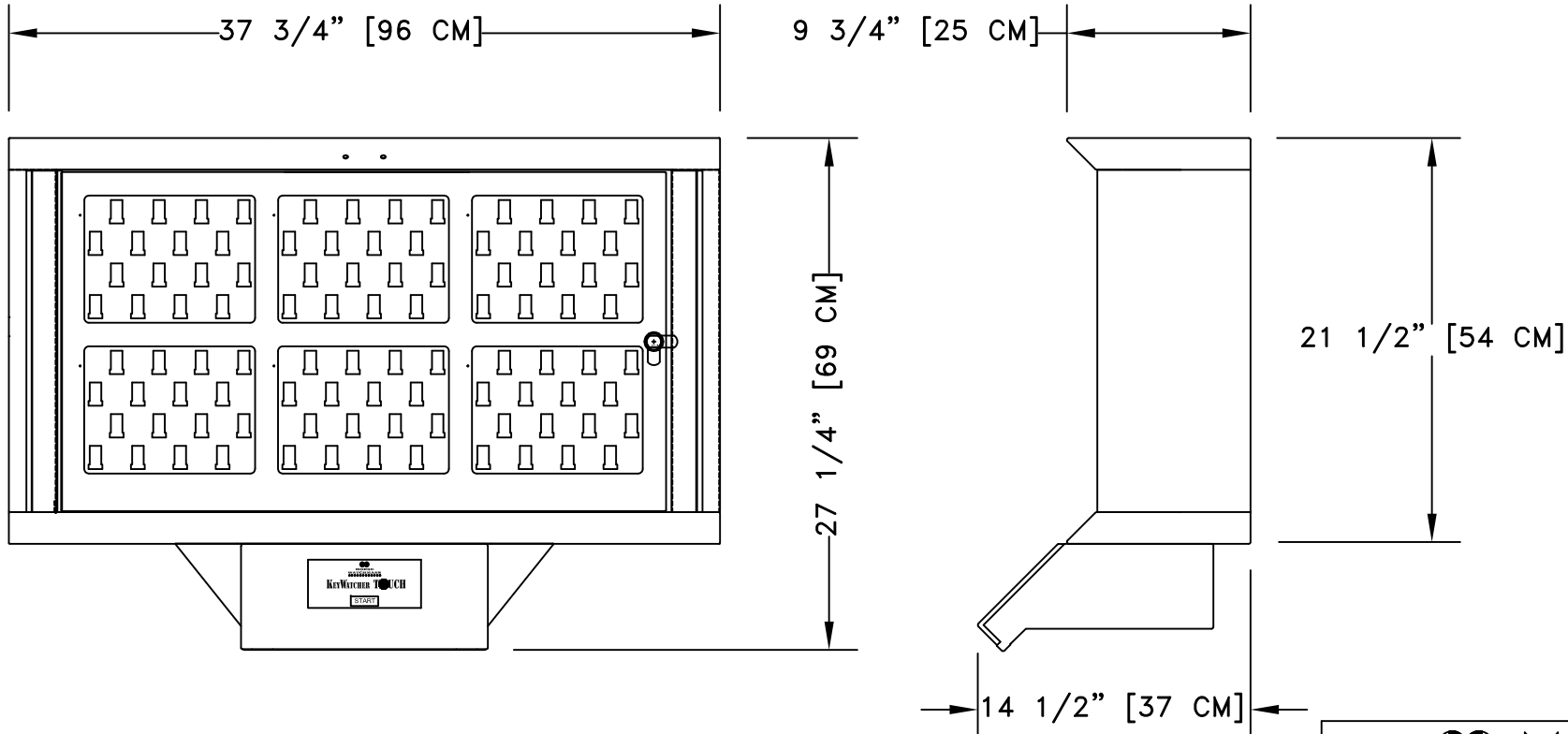


NOTES:

- FRONT DOOR IS SHOWN REMOVED, FOR THE PURPOSE OF CLARITY.

NOTICE: THIS DOCUMENT IS THE PROPERTY OF MORSE WATCHMANS INC. AND IS DELIVERED ON THE EXPRESS CONDITION THAT IT IS NOT TO BE DISCLOSED, REPRODUCED IN WHOLE, OR IN PART, OR USED FOR MANUFACTURE FOR ANYONE OTHER THAN MORSE WATCHMANS INC. WITHOUT ITS WRITTEN CONSENT, AND THAT NO RIGHT IS GRANTED TO DISCLOSE OR SO USE ANY INFORMATION CONTAINED IN SAID DOCUMENT. THIS RESTRICTION DOES NOT LIMIT THE RIGHT TO USE INFORMATION FURNISHED BY VENDORS OR OTHERS OUTSIDE THE MORSE WATCHMANS INC.



MORSE WATCHMAN®			
KW TOUCH SYSTEM 6- MODULE HORZ			
SIZE	CAGE CODE	DWG NO. 4000-6MOD-HORZ-TCH	REV
SCALE		SHEET OF	