

High Resolution Analog/IP Camera

True day/night minidome camera with built-in microphone for mobile video surveillance



OVERVIEW

The MobileView® 9100 Series Minidome Camera is the ideal choice for providing high-definition images in mass transit surveillance applications. The minidome camera comes with flexible lens options, built-in microphone and both 12VDC or PoE power options to simplify analog or IP installations. The camera offers true day/night functionality and built-in Infrared Illuminators to capture images in low light scenarios to ensure high image quality even in the most challenging transit environments. Tri-streaming capability allows users to easily configure and optimize bandwidth and storage settings according to needs. Users can configure camera to generate three separate H.264 streams simultaneously.

STANDARD FEATURES

- 1.3 Mpx resolution (1280 x 960)
- Simultaneous analog and IP video outputs
- H.264 compression technology with tri-streaming capability with independent settings
- True day/night functionality and built-in infrared illuminators for capturing images in various lighting scenarios
- Built-in microphone
- Flexible power options to simplify installation with PoE or 12VDC
- Low-profile, rugged design
- IP66 and IK07 rating

High Resolution Analog/IP Camera

True day/night minidome camera with built-in audio for mobile video surveillance

Specifications

Camera

Sensor Size	1/3"
SD/Mpx	1.3Mpx
Sensor Scan	Progressive Scan
Sensor Type	CMOS
IP Compression/Standard	H.264
Maximum Resolution (@ FPS)	1280x960 (25fps/30fps)
Resolution	Analog: 520+ TVL IP Alarm Stream: max 960p/XVGA @ 30fps IP Primary Stream: max 720p @ 15fps IP Alternate Stream: max 4CIF @ 15fps
Frame Rate	50Hz: 25fps (1280 x 960), 60Hz: 30fps (1280 x 960)
S/N Ratio	50dB
Electronic Shutter	50Hz: 1/25s~1/100,000s, 60Hz: 1/30s~1/100,000s
Certification	FCC, RoHS

Lighting Performance

Wide Dynamic Range	Yes, Digital
WDR in dB	70dB
Digital Noise Reduction	3D
Day/Night	IR cut filter with auto switch
White Balance	Yes, Auto 200K to 10,000K
Active Gain Control	Yes, Auto
Motorized IR Cut Filter	Yes
Color Sensitivity	0.5 Lux at 70 IRE in Color @ f1.2, AGC On
B/W Sensitivity	0 Lux at 70 IRE in B/W with IR @ f1.2, AGC On
IR Range	5m (16.4 ft), Smart IR to eliminate over exposure

Housing

Camera Type	Low Profile Dome Camera
Ratings	IP66 & IK07
Outdoor	Yes
Vandal Resistant	Yes

Lens

Control Type	Fixed
Focal Length	2.8, 4.0, 6.0mm
Varifocal	No

Power

Voltage Input & Power Consumption	12V Power Source: 4W, maximum PoE Power Source: 5W, maximum
PoE	PoE (802.3af)

Other

Special Feature	3-axis adjustment
-----------------	-------------------

Network

Bit Rate	64 Kbps~6Mbps
Network Protocols	TCP/IP, HTTP, DHCP, DNS, DDNS, RTP, RTSP, PPPoE, SMTP, NTP, SNMP, HTTPS, FTP, 802.1x, Qos, IPv6
Interoperability	ONVIF (Profile S), PSIA, CGI

Audio

Audio Processing	Codecs: G.711 mu-law, G.726
Audio Sensitivity	-30 dBV
Audio S/N	68 dB at 94 dB Sound Pressure Level, minimum

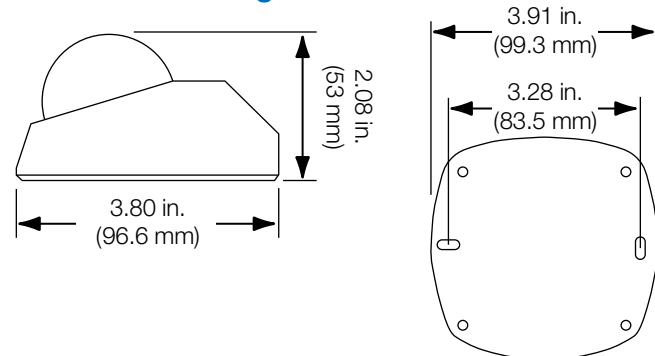
Mechanical/Environmental

Dimensions	99 x 97 x 53mm
Weight	14 oz (407 g)
Operating Temperature	-20°C to +60°C (-4°F to 149°F)
Audio/Power Connector	Molex 39-01-4036 (Pin 1 is Power +12V, Pin 2 is Ground, Pin 3 is Audio)
PoE & IP Audio	RJ45

Ordering Information

MVC-9100-28-WI	Minidome Camera w/Audio, IP/Analog, True D/N, IR, 2.8mm Lens, 12VDC/PoE
MVC-9100-28-WI-R	Minidome Camera w/Audio, IP/Analog, True D/N, IR, 2.8mm lens, 12VDC/PoE, Rearview
MVC-9100-40-WI	Minidome Camera w/Audio, IP/Analog, True D/N, IR, 4.0mm Lens, 12VDC/PoE
MVC-9100-60-WI	Minidome Camera w/Audio, IP/Analog, True D/N, IR, 6.0mm Lens, 12VDC/PoE

Dimensional Diagrams



 **mobileView**

interlogix.com/mobileview

Specifications subject to change without notice.

All rights reserved.

© 2014 United Technologies Corporation.

402-3791 2014/05 (78353)