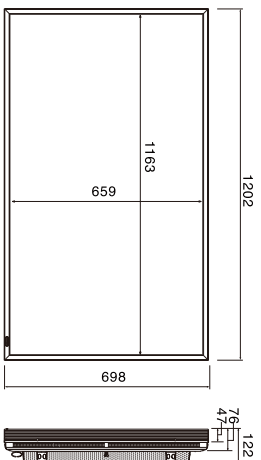


52" LCD MONITOR
MDT521S

- SLIM EYE-CATCHING BEZEL DESIGN
- ADVANCED HIGH-DEFINITION DIGITAL SIGNAGE DISPLAY
- FULL 1920 X 1080 NATIVE RESOLUTION
- BUILT-IN CAT5 TRANSMITTER AND RECEIVER
- FRONT AND REAR AMBIENT LIGHT SENSORS

LEADING THE EVOLUTION OF
HIGH-DEFINITION
DIGITAL SIGNAGE

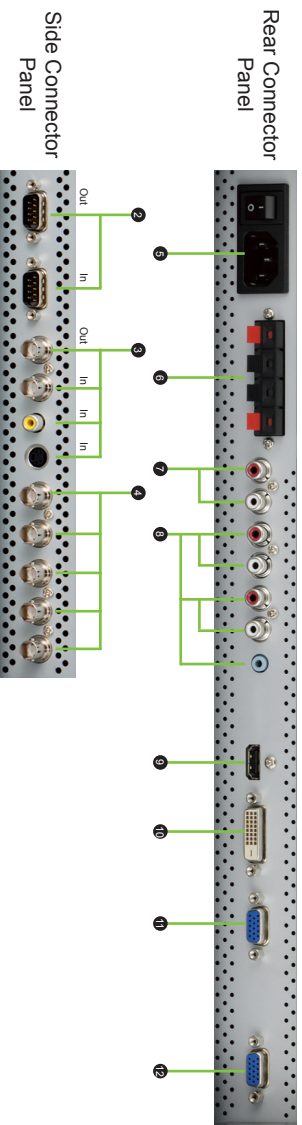
52" LCD MONITOR MDT521S



Optional Stand:
ST-521S

MULTIPLE STANDARD INPUT AND OUTPUT CONNECTORS

- ➊ Slot for optional CAT5 Input/output connectors (modular connector 8pin)
- ➋ EXTERNAL CONTROL (mini D-Sub 9 pin)
- ➌ VIDEO IN/OUT
- ➍ VIDEO IN CONNECTOR (BNC and RCA)
- ➎ VIDEO OUT CONNECTOR (BNC)
- ➏ S-VIDEO IN CONNECTOR (mini DIN 4 pin)
- ➐ RGB 4 IN/ DVD/HD IN (BNC)
- ➑ AC IN connector
- ➒ EXTERNAL SPEAKER TERMINAL
- ➓ AUDIO OUT
- ➔ AUDIO IN 1,2,3
- ➕ RGB 1 IN (HDMI)
- ➖ RGB 2 in (DVI-D)
- ➗ RGB 3 IN (mini D-Sub 15 pin)
- ➘ RGB out (mini D-Sub 15 pin)



Side Connector Panel

Rear Connector Panel

CLASS	52" (Diagonal) LCD Monitor
VIEWABLE IMAGE SIZE	45.4" x 25.5"
ORIENTATION	Landscape / Portrait / Face Up
BRIGHTNESS/LUMENS	700 cd/m ²
PIXEL PITCH	0.600 mm
CONTRAST RATIO	2000:1
DIMENSIONS (W x H x D in.)	47.3 x 27.5 x 4.8
WEIGHT (WITHOUT STAND AND SPEAKERS)	88 lbs. (Net)
BEZEL WIDTH	0.77"
RESPONSE TIME	8 ms (gray to gray)
VIEWING ANGLE	Horizontal and vertical: 178°
VIDEO/AUDIO INPUTS AND OUTPUTS	mini D-Sub 15 pin In/Out, HDMI, DVI-D, CAT5 In/Out, BNC (R,G,B,H,V) In/out, S-Video, Composite (BNC, RCA), Audio LR (RCA), Audio Stereo mini jack
SPEAKER OUTPUT	External speaker jack
CONTROL INPUT/OUTPUT	RS232C (mini D-Sub 9 In/Out)
POWER CONSUMPTION (WITHOUT SPEAKERS)	360 W
ESTIMATED BACKLIGHT LIFE	Up to 50,000 hours*
AUDIO SPEAKER	Optional: SP-521S
TABLE STAND	Optional: ST-521S
WALL MOUNT COMPATIBILITY	Optional: CTM-MS2
WARRANTY	3-years parts and labor, Express Replacement Assistance, toll-free 24x7 technical support

*Results may vary depending on usage and operating environment