

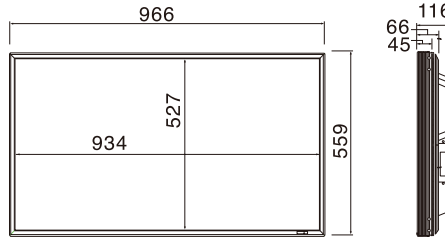
42" LCD MONITOR
MDT421S

- SLIM EYE-CATCHING BEZEL DESIGN
- ADVANCED HIGH-DEFINITION DIGITAL SIGNAGE DISPLAY
- FULL 1920 X 1080 NATIVE RESOLUTION
- OPTIONAL CAT5 TRANSMITTER AND RECEIVER
- FRONT AND REAR AMBIENT LIGHT SENSORS
- ENERGY STAR COMPLIANT

LEADING THE EVOLUTION OF
HIGH-DEFINITION
DIGITAL SIGNAGE

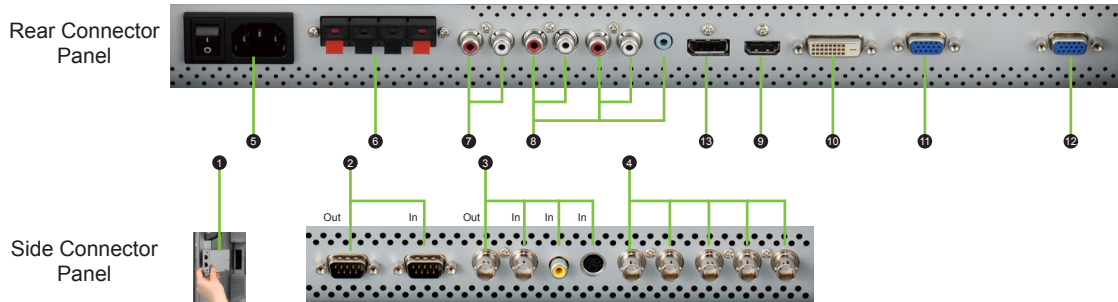


42" LCD MONITOR MDT421S



MULTIPLE STANDARD INPUT AND OUTPUT CONNECTORS

- ❶ Slot for optional CAT5 input/output connectors (modular connector 8pin)
- ❷ EXTERNAL CONTROL (mini D-Sub 9 pin)
- ❸ VIDEO IN/OUT
VIDEO IN CONNECTOR (BNC and RCA)
VIDEO OUT CONNECTOR (BNC)
S-VIDEO IN CONNECTOR (Mini DIN 4 pin)
- ❹ RGB 4 IN/ DVD/HD IN (BNC)
- ❺ AC IN connector
- ❻ EXTERNAL SPEAKER TERMINAL
- ❼ AUDIO OUT
- ❽ AUDIO IN 1,2,3
- ❾ RGB 1 IN (HDMI)
- ❿ RGB 2 IN (DVI-D)
- ⓫ RGB 3 IN (mini D-Sub 15 pin)
- ⓬ RGB out (mini D-Sub 15 pin)
- ⓭ RGB 6 IN (DisplayPort)



| | |
|---|--|
| CLASS | 42" (Diagonal) LCD Monitor |
| VIEWABLE IMAGE SIZE | 36.6" x 20.6" |
| ORIENTATION | Landscape / Portrait |
| BRIGHTNESS/LUMENS | 700 cd/m ² |
| PIXEL PITCH | 0.485 mm |
| CONTRAST RATIO | 1100:1 |
| DIMENSIONS (W x H x D in.) | 38.0" x 22.0" x 4.6" |
| WEIGHT (WITHOUT STAND AND SPEAKERS) | 52 lbs. (Net) |
| BEZEL WIDTH | 0.63" |
| RESPONSE TIME | 9 ms (gray to gray) |
| VIEWING ANGLE | Horizontal and vertical: 178° |
| VIDEO/AUDIO INPUTS AND OUTPUTS | mini D-Sub 15 pin In/Out, HDMI, DVI-D, CAT5 In/Out (optional DP-1CA5), DisplayPort, BNC (R,G,B,H,V), S-Video, Composite (RCA, BNC), Audio LR (RCA), Audio Stereo mini jack |
| SPEAKER OUTPUT | External speaker jack |
| CONTROL INPUT/OUTPUT | RS232C (mini D-Sub 9 In/Out) |
| POWER CONSUMPTION (WITHOUT SPEAKERS) | 214 W |
| ESTIMATED BACKLIGHT LIFE | Up to 50,000 hours* |
| AUDIO SPEAKER | Optional - SP-421S |
| TABLE STAND | Optional - ST-421S |
| WALL MOUNT COMPATIBILITY | Optional - CTM-VESA |
| WARRANTY | 3-years parts and labor, Express Replacement Assistance, toll-free 24x7 technical support |

*Results may vary depending on usage and operating environment