

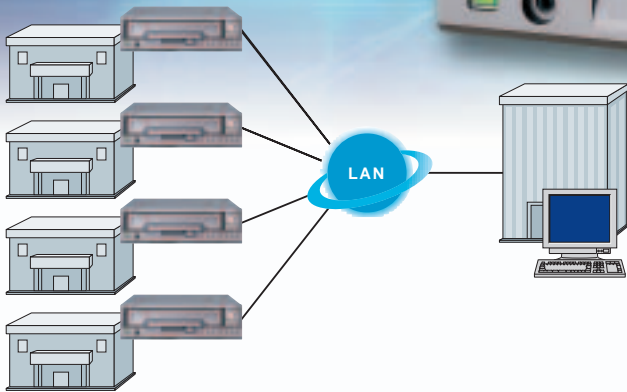
Changes for the Better

DIGITAL RECORDER

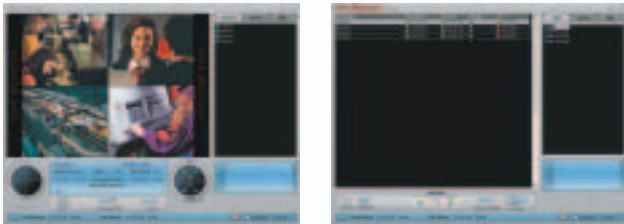
Model

DX-NT400E

4 channel digital recorder with networking capability and unique removable HDD tray



■ Net Hunter lite Application Software



■ 4 Channel Network DVR

1. PC Networking for Remote Monitoring and Control

The Network PC Software Net Hunter lite and built-in Web Server provide options for remote monitoring.

2. Effortless Data Backup

Removable HDD tray with 2 bays - additional trays are also available (DX-TR400)

3. Digital I/O Terminals

Dedicated terminals, for interfacing with external devices and alarm systems.

4. Remote Control

For added system security, a removable remote control is available.

Key Features

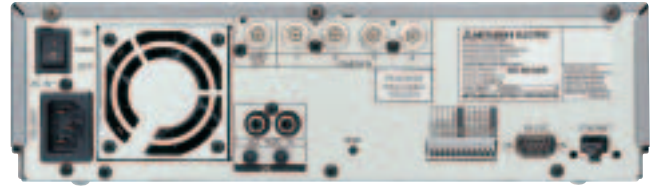
- Built-in 4-input multiplexer
- Network Monitoring and Control by Net Hunter lite Software (Alarm Notification, Recorder Control, Remote Set up etc.)
- Live viewing & playback via web browser
- Full duplex facility
- Variable Recording Speed up to 25 pictures per second
- Wavelet Compression Algorithm
- Removable Hard Disk Tray for 2 Hard Disks
- ATA-6 IDE Interface for up to 2TB/Hard Disk
- Auto-setup Alarm Partition Recording
- Digital I/O terminals for controlling external devices or accessing to alarm systems
- Motion Detection Recording with Lock Out Time Setting
- Remote Control Unit (R-400)
- Day Light Saving Time

DX-NT400E DIGITAL RECORDER

■Front View - HDD tray removed



■Rear View



■Recording capacity

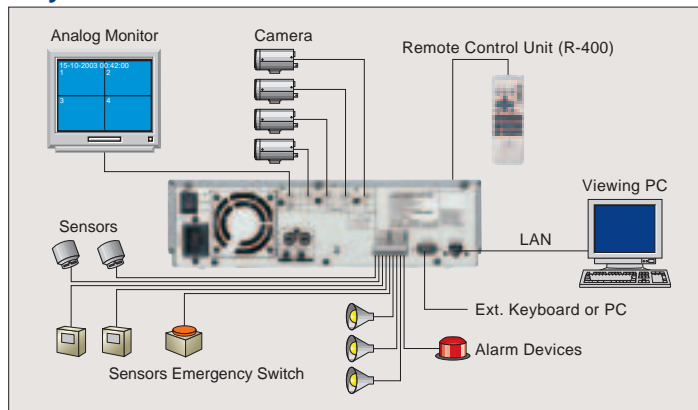
The DX-NT400E is supplied with no HDDs. HDDs are interchangeable and the table below shows the approximate recording time using 2 × 250GB HDDs.

D:Days H:Hours

Picture Grade	SUPER	HIGH	STANDARD	BASIC	LONG
25.0 Picture/Sec	4D 13H	6D 1H	10D 6H	14D 5H	30D 16H
12.5 Picture/Sec	9D 2H	12D 3H	20D 12H	28D 10H	61D 9H
8.33 Picture/Sec	13D 15H	18D 5H	30D 18H	42D 15H	92D 2H
6.25 Picture/Sec	18D 4H	24D 7H	41D	56D 20H	122D 19H
5.0 Picture/Sec	22D 17H	30D 9H	51D 6H	71D 1H	153D 11H
4.167 Picture/Sec	27D 6H	36D 11H	61D 13H	85D 6H	184D 4H
3.125 Picture/Sec	36D 8H	48D 15H	82D 1H	113D 17H	245D 14H
2.5 Picture/Sec	45D 10H	60D 19H	102D 13H	142D 3H	306D 23H
1.0 Picture/Sec	113D 13H	152D	256D 10H	355D 8H	767D 11H

(Without Audio)

■System structure



■SPECIFICATIONS

Item	Description
Main Recording Medium	3.5inch IDE HDD×2 can be added internally (Maximum capacity: 2TB/port)
Colour system	Standard PAL system
Signal Compression System	Wavelet: Sampling 13.5 MHz Compression unit: Field
Number of Picture Elements Processed	720×288 pixels
Video Terminal	Input 4 Input BNC-Connector: 1.0V(p-p) 75Ω Output 1 Output BNC-Connector: 1.0V(p-p) 75Ω
Audio Terminal	Input 1 Input RCA-Pin plug: 308mV(rms), 50kΩ Output 1 Output RCA-Pin plug: 308mV(rms), 1kΩ
Horizontal Resolution	More than 450 lines (Super and High picture grade)
Recording Interval	Can be set for each camera with function to estimate recording possible time
Alarm Recording	Recording time: 2sec, 5sec, 10sec, 15sec, 30sec, 45sec, 1min, 2min, 5min, 10min, 20min, 30min, 60min and contact input
Alarm Partition Recording	The partition area can be set from 10% to 90% of HDD capacity
Pre-alarm Recording	Pre-alarm time period has 3 settings, long, middle and short
Mirror Recording	Prevent data loss due to the HDD crash is available
Emergency Recording	Emergency input terminal (rear)
Power Failure Recovery Recording	Auto-re-start of unit after power failure
Menu Language	English, German, French, Spanish, Italian and Russian
Digital Zoom	The screen is magnified by 100%, 200%, and 400%

Item	Description
Motion Detection Function	16(H)×12(V) detection area setting, 5 steps detection sensitivity setting, recoding start dot number setting
Retrieval	Date & Time search, index search, skip search, alarm list search, camera filtering search
Multiplexer Function	Split display: 4 split display Sequential display: 1/4 display
Ethernet	10 BASE-T (RJ-45)
Simultaneous Users Access	Monitoring: Max. 5 users (Net Hunter lite) Playback: Max. 1 user
Security	Password (a three-level password) Image-alteration recognition (Against image forging)
Remote Access Interface	RS-232C (D-SUB 9pins)
Power Supply	AC100-240V 50/60Hz
Power Consumption	0.2A (240V, with 2 HDDs)
Operational Conditions	Temperature: 5℃-40℃ Humidity: 30%-80% Altitude: Max 2000m
Dimensions (W×D×H)	300×343×88mm
Weight	5.8kg
Accessories	AC power code (UK and Continental plug) Instruction manual (English) Quick Guide (English, German, French, Spanish, Italian and Russian) Wired remote control R-400 Screw to attach the HDD to the HDD holder

■ The names of other products or companies mentioned are registered trademarks or corporate trademarks of the companies written herein.

MITSUBISHI ELECTRIC EUROPE
TRAVELLERS LANE, HATFIELD, HERTFORDSHIRE AL10 8BX
Telephone: (01707) 278684 Fax: (01707) 278541 Email: security.info@meuk.mee.com

For more information about our digital recorders, please see the website at:
www.mitsubishielectric.co.uk/vis

NOTICE
New publication, effective September, 2003.
Specifications subject to change without notice.