



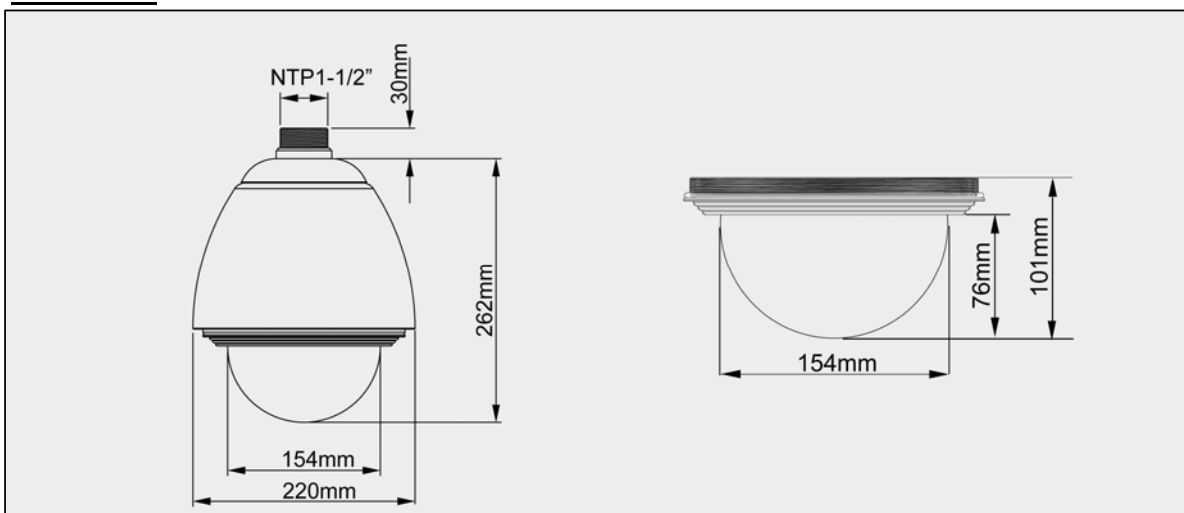
## SAD711 Vandal Proof Dome Enclosure With Heater & Blower



### Specification

Features	
● Thermostat controlled heater and blower, designed for harsh environment	
● Die-cast aluminum and epoxy powder painted construction	
● 2 mm tempered glass cover	
● Certified to IP66 and 750 kg impact resistance	
● Support up to 6 kg (13.2 lb, maximum)	
● Compatible with cameras: NDZ860 PTZ network dome camera	
● Optional accessories: SAD702 /SAD703 /SAD704 /SAD 705 /SAD706	
Mechanical Specification	
Material	die-cast aluminum, epoxy powder painted
Color	white
Operating temperature	-30°C ~ 50°C (-22°F~ 122°F)
Operating humidity	90 % RH (max)
Storage temperature	-40°C ~ 60°C (-40°F~ 140°F)
Power requirement	AC24V ± 10%
Power Consumption	60W (max.)
Dimensions (W x H x D)	220 x 220 x 262 mm (8.7" x 8.7" x 10.3")
Weight (kg)	3.2 kg (7.04 lb)
Ordering information	
Model	SAD711
Shipping size	530 x 265 x 335mm (20.9" x 10.4" x 13.2"/ master carton, 2 units) 265 x 265 x 335 mm (10.4" x 10.4" x 13.2"/ inner box, 1 unit)
Shipping wight	7.5 kg (16.5 lb, 2 units) / 3.5kg (7.7 lb, 1 unit)

### Dimensions



2010.01.06 version