



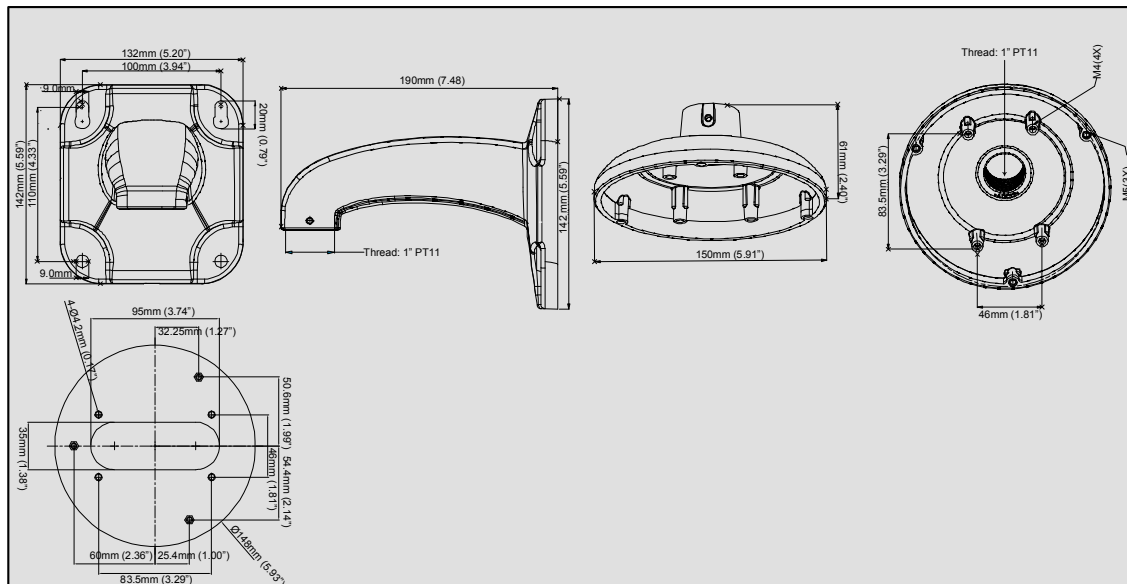
SAD401 Wall Mount Bracket Kit



Specification

Features		
● Package Content: adaptor plate, dome cap, wall mount bracket and conduit adaptor		
● Support up to 3 kg (6.61 lb, maximum)		
● Use with: SDF418, SDR437		
● Options: N/A		
Mechanical Specification		
Component	Wall Mount Bracket	Bracket Adaptor Plate
Material	die-cast, aluminum, epoxy power painted	SPCC
Color	white	white
Dimensions (W x H x D)	wall mount bracket: 142 x 132 x 190 mm (5.59" x 5.20" x 7.48") dome cap: 150 x 61 mm (5.91" x 2.40")	148 x 7.6mm
Weight (kg)	1.05 kg (2.31 lb)	0.18 kg (0.4 lb)
Ordering information		
Model	SAD401	
Shipping size	789 x 298 x 223 mm (31.09" x 11.74" x 8.79")/ master carton, 10 units 150 x 142 x 200 mm (5.91" x 5.59" x 7.87")/ inner box, 1 unit	
Shipping weight	14.5 kg (31.9 lb, 10 units) / 1.34kg (2.95 lb, 1 unit)	

Dimensions



2012.03.02 version