



# Mobile IR Wedge Camera (Interior or Exterior)

## CAMERA

<b>Image Sensor</b>	1/3" CMOS WDR, 2D-DNR, flicker automatic cancellation
<b>Wide Dynamic Range</b>	True Multi Exposure WDR @ 120dB
<b>Lens</b>	Fixed M12, f1.2, 2.9mm, 3.6mm, 4.3mm, or 6mm, fixed lens
<b>Day/Night</b>	TDN
<b>IR Cut Filter</b>	Auto D/N switch
<b>IR LED</b>	On/off mechanical switch
<b>Minimum Illumination</b>	f1.2 Color: 1.9 lux f1.2 B/W: 0.08 lux f1.2 With IR: 0 lux
<b>Signal-to-Noise Ratio</b>	58dB
<b>Shutter Time</b>	
<b>NTSC</b>	1/60s – 1/66,000s
<b>PAL</b>	1/50s – 1/52,000s
<b>Sync System</b>	Internal

## VIDEO

<b>Effective Pixel Count</b>	976(H) x 496(V)
<b>Horizontal Resolution</b>	650 TVL
<b>Image Settings</b>	Optimized for in-vehicle operation

## ELECTRICAL

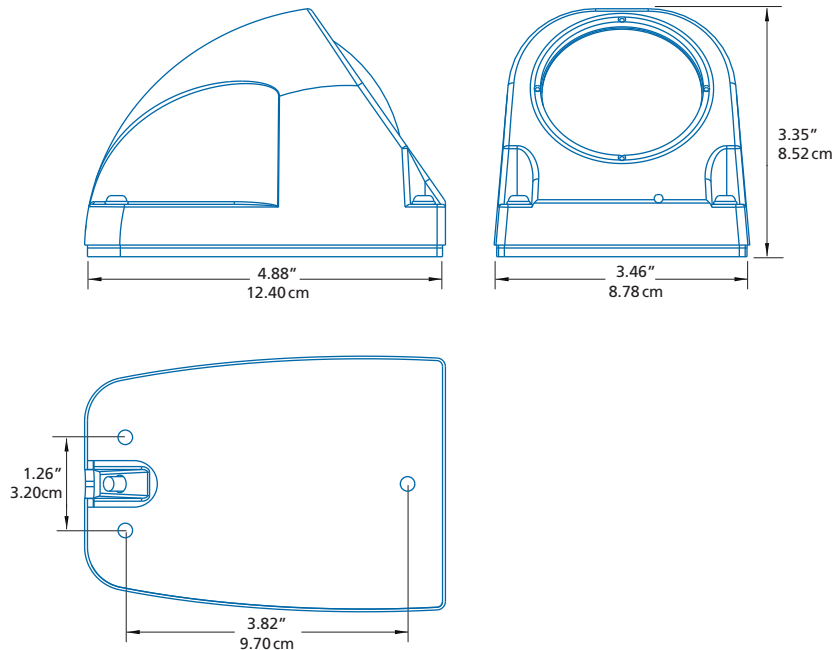
<b>Power</b>	DC 12 V
<b>Power Consumption</b>	Max 2.75W (IR LED on)

## GENERAL

<b>Construction</b>	Polycarbonate transparent cover Vandal-resistant aluminum housing (available in black or white) IP66*
<b>Connectors</b>	BNC
<b>Operating Conditions</b>	-13° to 131°F / -25° to +55°C <90%, non-condensing
<b>Storage Temperature</b>	-40° to 194°F / -40° to +90°C
<b>Weight</b>	1.3 lbs / 0.58 Kg
<b>Included Accessories</b>	Mounting template, mounting screws, installation screwdriver, BNC video out cable

## REGULATORY

<b>EMC</b>	FCC Part 15 Subpart B; ICES-003; EN55022; EN50130-4, 2004/108/EC
<b>Shock/Vibration</b>	MIL-STD-810, SAE J1455
<b>Others</b>	ROHS, WEEE



\*IP66 compliance requires installation as per March Networks guidelines in the product installation manual.