

Mobile HDR Wedge Camera

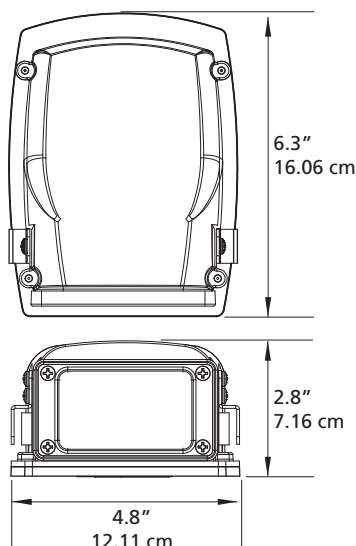
3 Megapixel camera with High Dynamic Range (HDR) and choice of RJ45 or M12 PoE connectors for exterior bus and rail applications



Also available with black housing



For mobile customers who need to capture all the details outside the vehicle in fast-changing lighting conditions, from bright light to complete darkness, the **Mobile HDR Wedge Camera** integrates HDR and 3MP resolution to guarantee superior image quality, regardless of lighting. The camera is protected by a weather-proof (IP67), vandal-proof (IK10) enclosure. Additionally, the camera's optional on-board storage ensures video is still being recorded, even if the connection with the recorder is lost (due to loss of power, routine maintenance, etc.).



Key Benefits

- ▼ **Advanced camera functionality.** IP network cameras offer significant advantages over analog, like 3MP resolution for superior image quality, inputs and outputs for alarms and audio, and camera obstruction detection.
- ▼ **High Dynamic Range (HDR).** The camera blends the best parts of several separate exposures to combine the most focused, well-lit, and colorful parts of the scene. This is especially beneficial in fast-changing lighting conditions, e.g., in and out of tunnels and overpasses.
- ▼ **Small footprint.** The camera measures just 4.8 inches (12cm) wide and 2.8 inches (7cm) high, significantly smaller than the competitors' form factors.
- ▼ **Moisture protection.** The camera features two vents that allow moisture to escape, which prevents fogging. The built-in heaters remove condensation on start-up, and the vents eliminate the need to reactivate those heaters in the event of subsequent fogging when temperature and humidity levels change (e.g., when transitioning from a tunnel into daylight).
- ▼ **Power over Ethernet (PoE).** This allows the camera to be powered via a single cable (unlike competitors' cameras that require an additional cable to power the internal heaters). PoE also allows for easy installation.
- ▼ **3-axis gimbal.** The camera's pan, tilt and rotation are adjusted by a single mechanism. This allows for single-handed positioning of the camera during installation and simplifies setup.
- ▼ **QR Code for in-field support.** March Networks GURU is the industry's first smartphone app that enables integrators to scan the camera's QR code to access diagnostic information, check the warranty, and initiate an RMA.

Get advanced IP camera performance in a small, durable form factor, with PoE and automatic condensation removal.

Mobile HDR Wedge Camera

CAMERA

Image Sensor	1/2.8" CMOS 3MP
Dynamic Range	Multi-exposure High Dynamic Range
Lens	3.6mm, F2.0 fixed lens
Angle of View	88° horizontal
Day/Night	Street light color mode
Minimum Illumination	Color: 0.12 Lux @ F2.0
Shutter Time	Up to 30ms

VIDEO

Video Compression	H.264 (MPEG-4 Part 10/AVC)
Resolution	3MP 2048 x 1536 to 352 x 288
Optional Resolution	
Major Stream	2048 x 1536, 1920 x 1080, 1280 x 720, 720 x 576, 352 x 288
Minor Stream	720 x 576, 352 x 288, D1
Frame Rate	Up to 30 fps (50/60 Hz) in all resolutions
Video Streaming	Dual-stream H.264 (full resolution on stream 1; maximum D1 on stream 2) Controllable frame rate and bandwidth CBR/VBR Up to two simultaneous streams with any combination of resolution and frame rate
Image Settings	Brightness, sharpness, contrast, saturation, hue, exposure control, white balance control, digital zoom, dynamic range control, 3D noise reduction

NETWORK

Security	Password protection, HTTPS encryption (configuration only)
Supported Protocols	IPv4/v6, TCP/IP, UDP, RTP, RTSP, HTTP, HTTPS, DHCP, ONVIF-S
Interface	RJ-45, 10/100Mbps Ethernet
Internet Browser	Internet Explorer (10+)

GENERAL

Construction Camera	Polycarbonate transparent cover Powder-coated aluminum housing IP67
Power	Power over Ethernet IEEE 802.3af Class 3
Power Consumption	3.5 W (heaters off); 12 W (heaters on)
Connectors	10BaseT/100Base-TX PoE
Operating Conditions	-13° to 131°F / -25° to 55°C Humidity 8 – 90% RH, non-condensing
Certification Model	C2701A
Regulatory Approvals	Emissions: EN 55022: FCC Part 15 Subpart B, ICES-003, CISPR 22, AS/NZS CISPR 22, CISPR 25 Immunity: EN 50130-4, EN50121-3-2 & SAE1113 Safety: UL60950-1, IEC60950-1 (CB report), IEC60950-22 S&V: SAE J1455, EN50155 Environmental: ROHS2, WEEE
Shock/Vibration	SAE J1455, EN50155 (IEC 61373)
Camera Weight	1.9 lbs (0.86 Kg)

ORDERING INFORMATION

33134-101	RJ45 PoE connector with black housing
33134-102	RJ45 PoE connector with white housing
33134-103	M12 PoE connector with black housing
33134-104	M12 PoE connector with white housing