

MegaPX IP PTZ Domes

The **MegaPX IP PTZ Domes** from March Networks® combine high-quality, high-definition 1080p video with powerful optical zoom capabilities and exceptional low-light performance, making them ideal for large area security monitoring. Designed for indoor and outdoor use, the domes are IP66 rated and include built-in heaters to ensure reliable operation in harsh environments.



PART NUMBERS

CAMERAS

- 30666 – Indoor, Pendant mount (20X)
- 30667 – Indoor, Recessed mount (20X)
- 30665 – Outdoor, Pendant mount (20X)
- 30668 – Outdoor, Pendant mount (30X)

MOUNTS

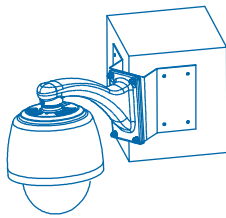
- 30871 – Wall mount, 10-inch horizontal, 1.5" NPT
- 30872 – Corner mount, 10-inch horizontal, 1.5" NPT
- 30902 – Pole mount, 15-inch horizontal, 1.5" NPT

POWER SUPPLIES

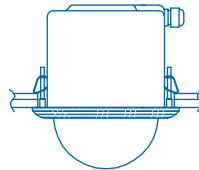
- 30873 – 24VAC, 50VA, Plug-In, 120VAC
- 30874 – 24VAC, 50VA, Plug-In, 230VAC

FEATURES

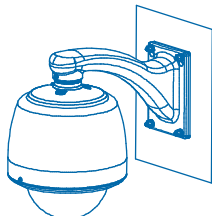
- 2MP
- 20X and 30X optical zoom
- 20X: 1/2.8" CMOS
- 30X: 1/3" CCD
- Wide Dynamic Range (WDR)
- Two simultaneous video streams: H.264 high profile & M-JPEG dual stream encoding
- Progressive scanning
- Auto zoom
- ONVIF-compliant
- Full high-definition network video output: up to 30fps @ 1920x1080 resolution
- Storage to SD card
- Alarm function (2 alarm inputs, 1 relay output)
- Up to 6 schedulable sensor profiles
- Recording on schedule and event
- Schedulable PTZ actions
- Bi-directional audio
- Shadow Archiving™
- Upgrade online
- Outdoor IP66 environmental rating, with built-in heater and air cycle system



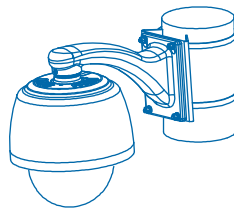
Corner Mount



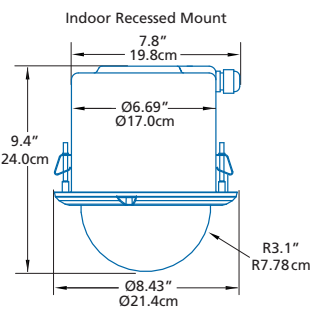
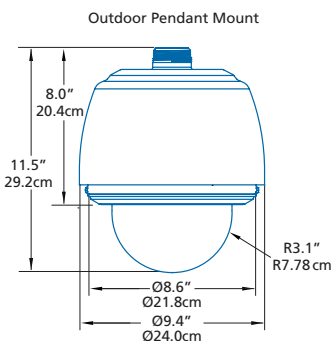
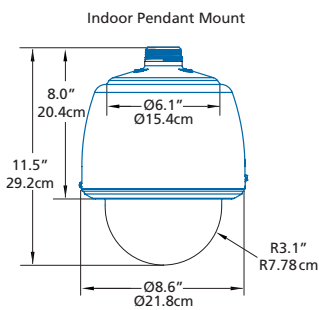
Indoor Recessed Mount



Wall Mount



Pole Mount



MegaPX IP PTZ Domes

LENS

Optical Zoom	
30667, 30666, 30665	20X
30668	30X
Aperture / Focal length	
30667, 30666, 30665	F1.6-F3.5, f=4.7-94mm
30668	F1.6-F4.7, f= 4.3-129mm
Angle of View	
30667, 30666, 30665	55.2° (wide) – 2.9° (tele)
30668	59.5° (wide) – 2.1° (tele)
Min. Work Distance	
30667, 30666, 30665	0.01m (wide) – 1.0m (tele)
30668	0.01m (wide) – 1.2m (tele)

CAMERA

Image Sensor	1/2.8" CMOS
Scanning System	Progressive scanning
Effective Resolution	1080p
Signal / Noise Ratio	>50dB
Sensitivity	
30667, 30666, 30665	Color Mode: 0.8 lux @ F1.6 (50 IRE) B/W Mode: 0.02 lux @ F1.6 (50 IRE)
30668	Color mode: 0.5 lux (1/30s, 50%, high sense - on), 0.08 lux (NTSC: 1/4s, PAL: 1/3s, 50%, high sense - on) B/W mode: 0.095 lux (1/30s, 50%, high sense - on), 0.005 lux (NTSC: 1/4s, PAL: 1/3s, 50%, high sense - on)
Sync System	Internal

OPERATIONAL

Pan Speed	0.1°~250°/second
Tilt Speed	0.1°~90°/second
Preset Speed	Max. 300°/second
Pan Rotation Angle	360° continuous rotation
Tilt Rotation Angle	0°~ 90°
Preset Accuracy	± 0.1°
Programmable Preset	1~255
Programmable Patterns	4
Autopan	4
Tours	6 (each tour can be associated with 14 actions, including Preset 1-32, Pattern 1-4 or AutoPan 1-4)
Auto Home	Yes
Time Tour	Yes
Autoscan	Yes
Motion Detection	Yes, 4 areas
Alarm	2 alarm inputs, 1 relay output
Area Zoom	Yes
Web Server	Yes
Remote Upgrade	Yes
Iris	Auto, Manu, M/A
Focus	Auto, Manu, M/A
Shutter	
30667, 30666, 30665	Auto (1/1.5s-1/10000s, adjustable)
30668	Auto (1/4s-1/10000s, adjustable)

Digital Slow Shutter	Yes
Image Mirror	Off, H-mirror, V-mirror, HV-mirror
Image Freeze	Yes
FNIR	Off, Manu, Auto (1-3 levels, adjustable)
White Balance	Auto, Manu, Merc, Sodi
Auto Gain Control	Yes
WDR	
30667, 30666, 30665	Off, WDR, AD WDR, WDR*, AD WDR*
30668	On/Off/Auto
Stabilization	No
Backlight Compensation	On/Off
Others	Sharpness adjustable, Slow AE, Lucidness

VIDEO

Compression	H.264 High profile/M-JPEG
Max. Resolution	
30667, 30666, 30665	1920x1080 @ 30fps
30668	1280x720 @ 30fps
Output Bit Rate	VBR; CBR 256Kbps-10Mbps

AUDIO

Audio Streaming	Two-way stereo
Audio Compression	G.711 PCM, G.726 ADPCM, Configurable bit rate (8-48 kHz)
Audio Input/Output	Line input, line level output

IP

Network Port	1 10M/100M Ethernet, RJ-45, self-adaptive
Network Protocol	ONVIF, NTP, RTP, RTSP, RTCP, HTTP, HTTPS, IPv4, TCP, UDP, DHCP, ARP, LDAP, 802.1X

ELECTRICAL

Electricity	24VAC/24VDC
Power Consumption	24VAC: 20W (indoor); 35W (outdoor) 24VDC: 20W (indoor); 33W (outdoor)
Surge Protection	Yes

ENVIRONMENTAL

Working Temperature	Indoor: 32° to 104°F / 0° to 40°C Outdoor: -40° to +122°F / -40° to +50°C
Working Humidity	0 to 90%RH (non-condensing)

PHYSICAL

Motor	Stepping motor
Mount Mode	Pendant, Recessed
Housing Material	Cast Aluminum (IP66)
Product Dimension (Height x Diameter)	Indoor: 9.4 x 8.43 in. / 24.0 x 21.4 cm (Recessed) 11.5 x 8.6 in. / 29.2 x 21.8 cm (Pendant) Outdoor: 11.5 x 9.4 in. / 29.2 cm x 24.0 cm (Pendant)

REGULATORY

Product Certifications	CE/EMC: EN55022, EN 55024, EN 61000-3-2, EN 61000-3-3; FCC: Part 15 Subpart B; ICES-003; UL; IEC62262
-------------------------------	---