

# MegaPX DPoC MicroDome

## IP over Coax



For customers with coaxial cable who prefer not to run Ethernet, the **MegaPX DPoC MicroDome** from March Networks offers a cost-effective way to transmit IP signals over coax without requiring customers to change their existing analog infrastructure. The camera works in conjunction with a transceiver to stream IP video and audio over coax cable, and convert the data back to digital Ethernet before archiving on an NVR or server.



### DATA & POWER OVER COAX

Use your existing analog infrastructure to migrate to HD IP surveillance, and recognize all the benefits and advanced functionality offered by IP network cameras.

### HARSH ENVIRONMENT? CAMERA STAYS SAFE

The MegaPX DPoC MicroDome is protected by an IP66, vandal-resistant casing, allowing it to operate in temperatures as low as -40°F (-40°C), and as high as 140°F (60°C). Additionally, the dome's enclosure has an IK10 impact protection rating — one of the highest impact resistance ratings available — which means the internal camera is safeguarded from external strikes. The camera can also alert users if it is redirected, blocked, manipulated or otherwise disturbed.

### CLEAR IMAGES IN ALL LIGHTING CONDITIONS

The camera's powerful combination of WDR and True Day/Night (TDN) technology, ensures excellent image quality, even in bright backlight and extreme low-light conditions. The P-Iris also allows for images with better contrast, clarity, resolution and depth of field.

### NEVER LOSE VIDEO

The MegaPX DPoC MicroDome can record to an internal microSDXC to ensure redundant recording in the event of a network outage or server failure. When the camera is used with March Networks Command Recording Server, an innovative Shadow Archive feature allows for seamless access to that recorded video, for total fail-safe management.

### FEATURES

- Power over Coax when used with Coaxial-PoE transceiver
- Supports Homeplug® AV / IEEE 1901
- HD 3MP resolution (up to 30 fps @ max resolution)
- Best-in-class WDR
- Remote motorized zoom and focus lens
- P-Iris
- Active video tampering
- TDN for superior low-light performance
- Shadow Archiving™ with microSDXC
- Vandal-resistant, impact-resistant (IK10) and weather-proof (IP66) housing
- Pendant, wall, pole, and corner mounts

### PART NUMBERS

#### DOMES

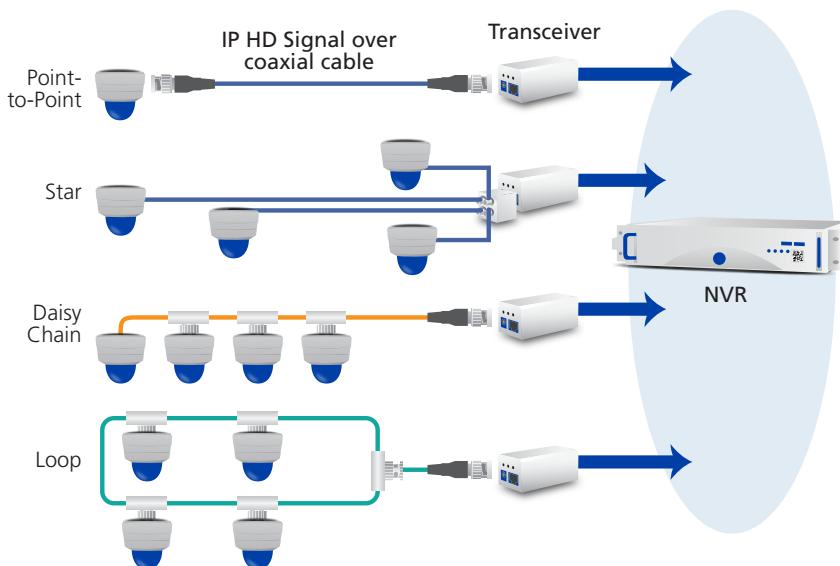
- 31800 – MegaPX DPoC MicroDome

#### MOUNTS

- 30332 – 1.5" NPT mount adaptor with sunshield
- HOMINIDOMESMA – Pendant mount
- HOMINIDOMEWB – Wall mount
- HOMINIDOMEPPMA – Pole adaptor
- 27639 – Corner adaptor

#### ACCESSORIES

- NV-EC1701 Ethernet over Coax Transceiver with PoE
- NV-EC4BNC 1:4 BNC Coax Splitter Adaptor
- NV-PS56-60W 56VDC, 60W Power Supply
- NV-RMEC16/90 Power Supply Rack Mount Kit
- NV-BNCT Passive T-Adaptor



Transmit IP HD Video Over Coax for High Quality HD Recording to an NVR

# MegaPX DPoC MicroDome

## CAMERA

<b>Image Sensor</b>	1/2.8" 3MP progressive scan CMOS
<b>Wide Dynamic Range</b>	Yes
<b>Lens</b>	3–9 mm, F1.2 with motorized zoom/focus, P-iris Angle of view: 33.5°-83.2° (horizontal)
<b>Minimum Illumination</b>	Color: 1.57 lux B/W: 0.03 lux
<b>Shutter Time</b>	1/25 to 1/1000 sec
<b>Camera Angle Adjustment</b>	Pan 360°, tilt 156°, rotation 360°
<b>Pan/Tilt/Zoom</b>	Optical zoom 3X; digital PTZ via Command
<b>White Balance</b>	Manual/automatic

## VIDEO

<b>Video Compression</b>	H.264 (MPEG-4 Part 10/AVC); M-JPEG
<b>Resolution</b>	2048 x 1536 (3MP) to 352 x 288 (CIF)
<b>Frame Rate</b>	Up to 30 fps @ 3MP
<b>Video Streaming</b>	Dual-stream H.264 and M-JPEG (full resolution on stream 1; maximum D1 on stream 2) Controllable frame rate and bandwidth CBR/VBR H.264; VBR M-JPEG (quality settings)
<b>Image Settings</b>	Wide Dynamic Range, anti-flicker, white balance mode, brightness, contrast, saturation, hue, sharpness, auto day-night, mirror mode, privacy patches, 3D noise reduction

## AUDIO

<b>Audio Streaming</b>	Two-way stereo
<b>Audio Compression</b>	G.711 PCM G.726 ADPCM Bit rate (48 kHz)
<b>Audio Input/Output</b>	Stereo line in; stereo line out

## NETWORK

<b>Security</b>	Password protection, IP address filtering, connection management, LDAP authentication, HTTPS encryption (configuration only), smartcard/USB token authentication
<b>Supported Protocols</b>	ONVIF S Profile, RTP, RTSP, RTCP, HTTP, HTTPS, IPv4, TCP, UDP, DHCP, ARP, LDAP
<b>Interface</b>	BNC
<b>Internet Browser</b>	Internet Explorer (9.0+ Windows only)

## SYSTEM INTEGRATION

<b>Intelligent Video</b>	Video motion detection, connection monitoring, active tampering
<b>Alarm Triggers</b>	Video motion detection, external input
<b>Alarm Events</b>	External output activation Video recording to local storage (microSDXC)

## GENERAL

<b>Housing</b>	Polycarbonate transparent bubble Aluminum inner camera module with encapsulated electronics IP66, ingress protection IK10, protection rating
<b>Power</b>	Power over Coax technology. Must be used with NVT Transceiver (model NV-EC1701)
<b>Power Consumption</b>	4W (heater off), 12W (heater on)
<b>Connectors</b>	One BNC Coax connection; 1 alarm input; 1 alarm output; 3.5mm line in; 3.5mm line out
<b>Local Storage</b>	microSDXC memory card slot (card not included)
<b>Operating Conditions</b>	-40° to 140°F / -40° to 60°C
<b>Product Code</b>	C1402A
<b>Regulatory Approvals</b>	Standards EN55022, EN55024; FCC Part 15 Subpart B, ICES-003; UL 60950-1; ROHS2 (2011/65/EU); C-tick; EN61000-3-2; EN61000-3-3; IK10; WEEE
<b>Mechanical Weight</b>	2.98 lbs/ 1.35 kg
<b>Dimensions (HxD)</b>	5.1 x 5.9 in. / 12.96 x 15.01 cm
<b>Mounting Options</b>	1.5" NPT mount adaptor (with sunshield), pendant mount, wall mount, pole adaptor, corner adaptor
<b>Included Accessories</b>	Software CD (including documentation, browser, and Command applications), screwdriver, screws, wall anchors, mounting template

