

# ME4 IR MicDome

4MP dome with High Dynamic Range (HDR),  
IR and built-in microphone, in a small form factor



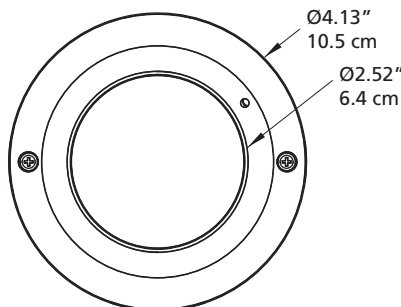
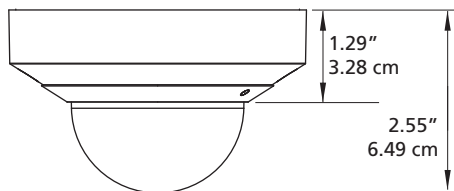
Shown with  
optional NPT mount adaptor



Shown with  
optional wall mount



For customers who need a full-featured dome with a small footprint, the **ME4 IR MicDome** integrates IR LEDs, HDR and 4MP resolution to guarantee superior image quality, in a discreet housing. The camera is protected by a weather-proof (IP66), vandal-resistant enclosure, and generates an alert in the event someone attempts to obstruct or move the camera.



## Key Benefits

- ▼ **4MP resolution.** Twice the amount of pixels as 1080p, 4MP delivers the perfect amount of detail to see facial features, bill dominations, etc.
- ▼ **Available with wide-angle or medium-range lens.** Depending on the area of coverage and the amount of detail required, the camera comes with a 2.8mm or a 4.0mm lens.
- ▼ **Built-in microphone.** No need to purchase and install a separate device for applications that require audio.
- ▼ **High Dynamic Range (HDR).** The camera blends the best parts of several separate exposures together to combine the most focused, well-lit, and colorful parts of the scene.
- ▼ **Integrated IR.** The built-in LEDs provide uniform illumination in total darkness, which means users will see high-quality, low-noise video from over 49 feet (15 meters) away.
- ▼ **Moisture protection.** The camera's mic contains an acoustic membrane, which prevents moisture from permeating. The membrane also allows moisture to escape, giving it breathability and protecting the camera.
- ▼ **3-axis gimbal.** The camera's pan, tilt and rotation are adjusted by a single mechanism. This allows for single-handed positioning of the camera during installation and simplifies setup.
- ▼ **Widescreen monitor display.** The video is displayed in a 16:9 aspect ratio on the monitor, which makes use of the full monitor.

**Get high performance in a small, durable form factor — just over 4 inches in diameter — complete with a built-in microphone.**

# ME4 IR MicDome

CAMERA	
Image Sensor	1/3" Progressive Scan CMOS
Effective Pixels	4MP; 2688 (H) x 1520 (V)
Lens	2.8mm (F2.0) or 4.0mm (F2.1), fixed focal
Field of View	133164-101: 100° 33164-102: 60°
High Dynamic Range (HDR)	120dB
Day/Night Functionality	IR LED
Minimum Illumination	Color: 0.02 lux; B/W: 0.00 lux (IR on)
Shutter Speed	1/10000s
Camera Angle Adjustment	Pan 350°, Tilt 160°, Rotation -100° to 100°
Pat/Tilt/Zoom	Digital PTZ via Command
White Balance	Manual/Automatic
IR Wavelength	850nm
IR Illumination Distance	49 feet (15m)
Number of LEDs	4
VIDEO	
Video Compression	H.264, M-JPEG
Resolution	4MP (2688 x 1520), 3MP, Full HD 1080p, SXGA, 720p, XGA, SVGA, D1, VGA, CIF
Frame Rate	Up to 25/30fps @ 4MP (2688 x 1520)
Video Streaming Dual	H.264 4MP (2688 x 1512) @25/30fps + H.264 D1 @ 25/30fps (one of the streams ≤2MP can be set as M-JPEG)
Quad	H.264 4MP (2688 x 1512) @25/30fps + H.264 SVGA @ 15fps + H.264 CIF @ 15fps + H.264 CIF @ 15fps
Image Settings	Iris control, backlight compensation, white balance, noise reduction, wide dynamic range, privacy mask, brightness, exposure, sharpness, contrast, saturation, hue, IR configuration, day/night threshold
AUDIO	
Audio Streaming	One-way
Audio Compression	G.711 PCM
Audio Input/Output	Embedded microphone
NETWORK	
Security	Password protection, HTTPS encryption (configuration only), IEEE 802.1X
Supported Protocols	IPv4/v6, TCP/IP, UDP, RTP, RTSP, HTTP, HTTPS, DHCP, PPPoE, UPnP, QoS, ONVIF-S
Interface	RJ-45, 10/100Mbps Ethernet
Internet Browser	Internet Explorer (10+)
SYSTEM INTEGRATION	
Intelligent Video	Video motion detection, active video tampering, privacy zones
Alarm Trigger	Motion detection, video tampering, external input
Alarm Events	Video recording to local storage (SDXC, 64GB support), external output activation

GENERAL	
Power	PoE (802.3 af, Class 0); 12VDC
Power Consumption	3.64W typical IR LED: +2.64W SD Card: +0.6W
LED Indicator	Power, Link, ACT
Connectors	Power: 2 Pin Terminal Block Ethernet: RJ-45 Audio: built-in
Local Storage	SDXC memory card up to 64GB (sold separately)
Operating Conditions	-22° to 131°F (-30° to 55°C); 10-90% RH, non-condensing
Weatherproof Standard	IP66
Weight	0.54 lb (0.25 Kg)
Dimensions	Ø 4.13 x 2.56 H in (Ø 105 x 65 H mm)
Certification Model	C2401A
Regulatory Approvals	Emissions: EN 55022: FCC Part 15 Subpart B, ICES-003, CISPR 22, AS/NZS CISPR 22, CISPR 25 Immunity: EN 50130-4, EN50121-3-2 & SAE1113 Safety: UL60950-1, IEC60950-1 (CB report), IEC60950-22 S&V: SAE J1455, EN50155 Environmental: ROHS2, WEEE
Included Accessories	Software CD (including Installation Guide, Configuration Guide, and browser); Quick Start Guide; mounting template; mounting hardware

MOUNTING OPTIONS			
Surface Mount (out-of-box)	Wall Mount	1.5" NPT Mount Adaptor	1.5" NPT Pendant Mount
1.5" NPT Wall Mount	Corner Adaptor	Pole Adaptor	

ORDERING INFORMATION	
<b>CAMERA</b>	
33164-101	ME4 IR MicDome with 2.8mm lens
33164-102	ME4 IR MicDome with 4.0mm lens
<b>ACCESSORIES</b>	
33286	Wall Mount
33287	1.5" NPT Mount Adaptor
HOMINIDOMESMA	1.5" NPT Pendant Mount
HOMINIDOMEWB	1.5" NPT Wall Mount
HOMINIDOMEVMA	Pole Adaptor
27639	Corner Adaptor

North America . . . . . 1 800 563 5564  
Latin America . . . . . +5255 5259 9511  
Europe . . . . . +39 0362 17935  
Asia . . . . . +65 6818 0963  
Australia and New Zealand . . . . . +61 1300 089 419  
Middle East and Africa . . . . . +971 4 399 5525

© 2017. March Networks, An Infinova Company. All rights reserved. Information in this document is subject to change without notice. MARCH NETWORKS, March Networks Command, March Networks Searchlight, March Networks RideSafe, and the MARCH NETWORKS logo are trademarks of March Networks Corporation. Infinova is a trademark of Infinova Corporation. All other trademarks are the property of their respective owners. 060-3261-00-8 [marchnetworks.com](http://marchnetworks.com)

