

ME4 Box Camera

4MP camera with High Dynamic Range (HDR), auto backfocus, and choice of P-Iris lenses



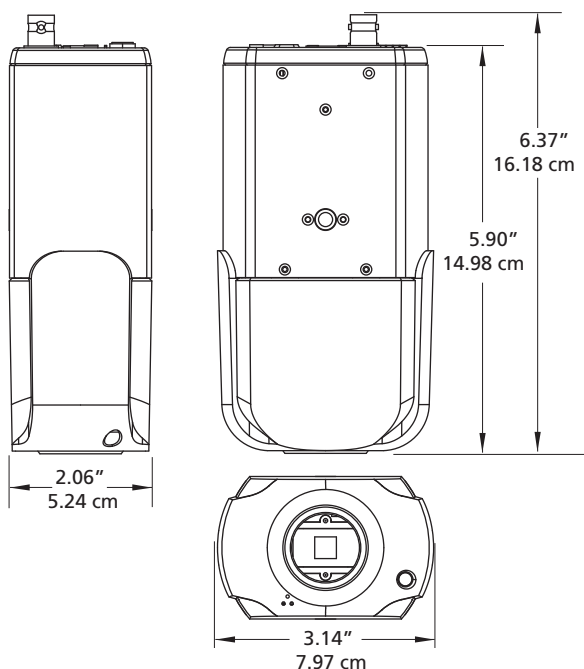
Shown with wide to medium-range varifocal lens



Shown with optional environmental housing



For customers who prefer the flexibility of a box camera and need to monitor activity in a variety of lighting conditions, the **ME4 Box Camera** delivers HDR, True Day/Night, and 4MP resolution to guarantee superior image quality, regardless of lighting. In addition, the camera's vandal-resistant environmental housing enables customers to extend surveillance coverage to the outdoors in conditions as low as -40°F (40°C).



Key Benefits

- ▼ **4MP resolution.** Twice the amount of pixels as 1080p, 4MP delivers the perfect amount of detail to see facial features, bill dominations, etc.
- ▼ **Save money on storage and bandwidth.** The camera's low bit rate (LBR) setting reduces storage and bandwidth usage by 50% or more in most applications; streams can drop below 1Mbps at 4MP (15 fps).
- ▼ **High Dynamic Range (HDR).** The camera blends the best parts of several separate exposures together to combine the most focused, well-lit, and colorful parts of the scene.
- ▼ **Auto backfocus.** Once the field-of-view has been adjusted manually, the backfocus can be fine-tuned remotely.
- ▼ **P-Iris.** The enhanced video clarity and depth of field offered by the P-Iris allows objects close to and far away from the camera to remain in focus, simultaneously.
- ▼ **True Day/Night.** When the light level drops lower than a particular threshold (defined by the user), the camera's IR cut filter is removed and it automatically switches to B/W, allowing it to see details at very low light levels.
- ▼ **Choose an optional ME4 certified P-Iris lens for maximum performance.** Available in 2.8-8mm and 8.5-50mm packages.
- ▼ **Hallway mode.** To capture vertically-oriented scenes, such as hallways and corridors, the camera provides a 90° rotation so images are created vertically, maximizing the field of view in narrow situations.

Select your lens of preference to get the perfect field of view and detail for your application.

ME4 Box Camera

CAMERA	
Image Sensor	1/3" Progressive Scan CMOS
Effective Pixels	4MP; 2688 (H) x 1520 (V)
Lens	33160-102: 4MP, 2.8-8mm, F1.2 (wide) or F1.95 (tele), P-iris, varifocal, CS mount 33160-103: 4MP, 8.5-50mm, F1.6, P-iris, varifocal, CS mount
Field of View	33160-102: 103° (Wide); 39° (Tele) 33160-103: 35° (Wide); 7° (Tele)
High Dynamic Range (HDR)	120dB
Day/Night Functionality	Automatically removable IR cut filter
Minimum Illumination	Color: 0.1 lux; B/W: 0.01 lux
Shutter Speed	1/10000s
Pat/Tilt/Zoom	RS485 Optical Zoom, Digital PTZ via Command
White Balance	Manual/Automatic

VIDEO	
Video Compression	H.264, M-JPEG
Resolution	4MP (2688 x 1520), 3MP, Full HD 1080p, SXGA, 720p, XGA, SVGA, D1, VGA, CIF
Frame Rate	Up to 25/30fps @ 4MP (2688 x 1520)
Video Streaming	
Dual	H.264 4MP (2688 x 1512) @25/30fps + H.264 D1 @ 25/30fps (one of the streams ≤2MP can be set as M-JPEG) H.264 Full HD (1920 x 1080) @ ≤25/30fps + H.264 Full HD (1920 x 1080) @ ≤25/30fps
Quad	H.264 4MP (2688 x 1512) @25/30fps + H.264 SVGA @ 15fps + H.264 CIF @ 15fps + H.264 CIF @ 15fps
Image Settings	Iris control, backlight compensation, white balance, noise reduction, wide dynamic range, privacy mask, brightness, exposure, sharpness, contrast, saturation, hue, IR configuration, day/night threshold

AUDIO	
Audio Streaming	Two-way
Audio Compression	G.711 PCM
Audio Input/Output	Line in/line out

NETWORK	
Security	Password protection, HTTPS encryption (configuration only), IEEE 802.1X
Supported Protocols	IPv4/v6, TCP/IP, UDP, RTP, RTSP, HTTP, HTTPS, DHCP, PPPoE, UPnP, QoS, ONVIF-S
Interface	RJ-45, 10/100Mbps Ethernet
Internet Browser	Internet Explorer (10+)

SYSTEM INTEGRATION	
Alarms	Two alarm inputs, one relay output
Intelligent Video	Video motion detection, active video tampering, privacy zones
Alarm Trigger	Motion detection, video tampering, external input
Alarm Events	Video recording to local storage (microSDXC, 64GB support), external output activation

GENERAL	
Lens Mount	CS Mount
Power	PoE (802.3 af, Class 0); 12VDC/24VAC
Power Consumption	3.64W typical SD Card: +0.6W
LED Indicator	Power, Link, ACT
Connectors	Auto Iris: P-Iris Alarm: Terminal Block Power: Terminal Block Ethernet: RJ-45 Analog Video: BNC Audio: Phone jack RS-485: Terminal block
Local Storage	microSDXC memory card up to 64GB (sold separately)
Operating Conditions	No Housing: -22° to 131°F (-30° to 55°C); 10-90% RH, non-condensing With Environmental Housing: -40° to 131°F (-40° to 55°C); 10-90% RH, non-condensing
Weatherproof Standard	IP66 (with Environmental Housing)
Weight	0.73 lb (0.33 Kg)
Dimensions	6.4 L x 3.1 W x 2.1 H in (16.2 L x 8.0 W x 5.2 H cm)
Certification Model	C2501A
Regulatory Approvals	Emissions: EN 55022: FCC Part 15 Subpart B, ICES-003, CISPR 22, AS/NZS CISPR 22 Immunity: EN 50130-4 Safety: UL60950-1, IEC60950-1 (CB report) Environmental: ROHS2, WEEE
Included Accessories	Software CD (including Installation Guide, Configuration Guide, and browser); Quick Start Guide; mounting template; mounting hardware

ORDERING INFORMATION	
CAMERA	
33168-101	ME4 Box Camera, no lens
33168-102	ME4 Box Camera with 2.8-8mm lens
33168-103	ME4 Box Camera with 8.5-50mm lens
ACCESSORIES	
HOWSCAMWB	Indoor Wall/Ceiling Mount
26481	Environmental Housing
26485	Wall Mount for Environmental Housing
26486	Ceiling Mount for Environmental Housing
26480	115/220VAC Power Supply for Environmental Housing

North America 1 800 563 5564
 Latin America +5255 5259 9511
 Europe +39 0362 17935
 Asia +65 6818 0963
 Australia and New Zealand +61 1300 089 419
 Middle East and Africa +971 4 399 5525

© 2017. March Networks, An Infinova Company. All rights reserved. Information in this document is subject to change without notice. MARCH NETWORKS, March Networks Command, March Networks Searchlight, March Networks RideSafe, and the MARCH NETWORKS logo are trademarks of March Networks Corporation. Infinova is a trademark of Infinova Corporation. All other trademarks are the property of their respective owners. 060-3249-00-E marchnetworks.com

