

# Mobile HD WDR NanoDome

The **Mobile HD WDR NanoDome** from March Networks® is a low-profile, fixed mobile IP camera that combines high-definition (HD) video resolution with powerful Wide Dynamic Range (WDR) for excellent image quality in all lighting environments. The camera is packaged in a sleek, unobtrusive housing designed for inconspicuous surveillance in bus and rail deployments.



## CLEARER, BRIGHTER IMAGES

The Mobile HD WDR NanoDome's powerful WDR and progressive scan in high resolution ensure crystal clear images, even in brightly backlit situations. Typically, there is a tradeoff between HD and WDR, but the Mobile HD WDR NanoDome delivers the benefits of both.

## HD WITH REAL-TIME FRAME RATE

The Mobile HD NanoDome offers megapixel resolution in HDTV format, along with H.264 compression streams in real time (up to 30 fps @ 1920x1080p).

## ENVIRONMENTAL PROTECTION

To protect the camera from the tough environmental conditions found on bus and rail vehicles, the Mobile HD WDR NanoDome is safely concealed inside a vandal-resistant, IP66 aluminum housing with a transparent

polycarbonate cover. In addition, the camera provides dust and humidity ingress protection and complies with industry standard J1455 for shock and vibration in heavy-duty vehicle applications.

## VIDEO STREAMING

The camera's support for H.264 compression technology results in up to 20 times the efficiency of comparable JPEG-based IP cameras. This allows for archiving of higher-quality video for longer periods of time, while significantly reducing bandwidth and storage costs.

## ECONOMICAL AND FLEXIBLE

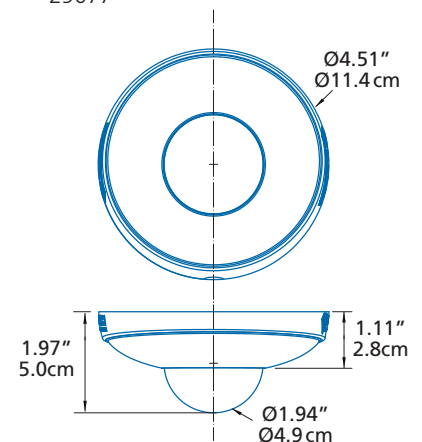
Power over Ethernet (PoE) simplifies the installation of the camera by eliminating the need for additional cables for power. It is quick and easy to install to ensure a more flexible application.

## FEATURES

- 1080p video quality for high resolution color and clarity
- Best-in-class WDR
- Compact, discreet design
- Progressive scan CMOS sensor
- 4.0 mm fixed lens with 70° horizontal angle of view
- Surface mount
- Easy to install; lens can be positioned for optimal viewing angle
- Power over Ethernet

## PART NUMBERS

- 29077



*High definition image captured with the Mobile HD WDR NanoDome Camera*



*Standard definition image*

# Mobile HD WDR NanoDome

## CAMERA

<b>Image Sensor</b>	1/2.7" CMOS Progressive Scan
<b>Lens</b>	4.0 mm fixed lens Horizontal angle of view: 70°
<b>Minimum Illumination</b>	Color: 0.3 lux / F1.5
<b>Wide Dynamic Range</b>	95 dB
<b>Shutter Time</b>	1/2000s to 1/30s (manual) 1/10000s to 1s (auto)
<b>Camera Angle Adjustment</b>	Pan 170°, Tilt 0 – 90°

## VIDEO

<b>Video Compression</b>	H.264
<b>Resolution</b>	Up to full HD 1080p
<b>Frame Rate</b>	Up to 30 fps @ 1920x1080p
<b>Video Streaming</b>	Controllable frame rate and bandwidth CBR H.264
<b>Image Settings</b>	Wide Dynamic Range, brightness, exposure, contrast, white balance, saturation, hue, motion detection

## NETWORK

<b>Security</b>	Password protection, connection management, HTTPS encryption (configuration only)
<b>Supported Protocols</b>	RTP, RTSP, RTCP, HTTP, HTTPS, IPv4, TCP, UDP, DHCP, ARP

## GENERAL

<b>Housing</b>	Aluminum casing IP66 rating (NEMA 4X)
<b>Power</b>	Power over Ethernet IEEE 802.3af Class 2
<b>Connectors</b>	Female RJ-45 100BASE-TX PoE (IP66/NEMA 4X rated)
<b>Operating Conditions</b>	-4 to 122°F / -20 to 50°C 10 – 90% Relative Humidity non-condensing
<b>Regulatory Approvals</b>	UL 60950-1; CE – EMC Directive; 2004/108/EC; Standards EN55022; EN50130-4; FCC Part 15 Subpart B; ICES-003; RoHS Directive (2002/95/EC); C-Tick
<b>Shock/Vibration</b>	SAE J1455/MIL-202F/MIL-STD-810
<b>Mechanical</b>	
<b>Weight</b>	0.4 lb / 0.2 kg
<b>Dimensions (HxD)</b>	1.97 x 4.51 in. / 5.0 x 11.4 cm
<b>Included Accessories</b>	CD (with client application, installation guide, user manual, firmware, browser tool) housing removal tool, and mounting template

