

VideoSphere

EDGE

The **VideoSphere® Edge 1 MicroEncoder** from March Networks® is a high performance, single-channel encoder/decoder that integrates analog camera video into an IP network, and manages the decoding and display of that video. This compact and feature-rich unit enables organizations to leverage existing investments in analog cameras and migrate to all-IP video networking cost-effectively.



COMPACT ENCODER/DECODER

The VideoSphere Edge 1 MicroEncoder, which functions as either an encoder or decoder¹, is a true IP adaptor able to migrate analog cameras or monitors into a network-based system. The unit's compact size makes it ideal for installation in camera housings or outdoor power supply cabinets. It has also been mechanically designed to easily install on a standard 35mm DIN rail, allowing multiple units to be mounted side-by-side and conveniently accessed for maintenance.

MULTI-COMPRESSION FORMATS

The Edge 1 MicroEncoder offers a choice of H.264, MPEG-4 or M-JPEG for encoding or decoding analog video signals. Simultaneous multistreaming is possible for applications where one compression is needed for live viewing and another compression for recording. Two independent streams can provide up to D1 resolution at 30 fps (NTSC) or 25 fps (PAL). For applications requiring low storage and bandwidth, H.264 compression offers savings of as much as 80 percent over M-JPEG and 50 percent over MPEG-4 compression.

BUILT-IN REDUNDANCY

The MicroEncoder can record a video stream in parallel to an optional, internal microSD High Capacity (SDHC) card or a Network Attached Storage (NAS) device to provide redundant recording in the event of a network outage or server failure. For total fail-safe management, the encoder's innovative Shadow Archiving™ feature provides seamless access to redundant video and offers user configurable options to reintegrate missing video into the main Video Management System (VMS) archive.

ECONOMICAL AND FLEXIBLE

Industry-standard Power over Ethernet (PoE) allows a single cable solution to both power the MicroEncoder and connect it to the network, while setup and programming are quickly accomplished using a browser interface.

With features such as an RS-485 port for PTZ control, full duplex audio and video synchronization, an alarm input that integrates hard-wired panic alarms, and a relay output that can trigger auxiliary equipment such as lights or external alarms, the Edge 1 MicroEncoder is the ideal choice for a variety of applications.

FEATURES

- Single-channel encoder/decoder
- H.264, MPEG-4, M-JPEG compression
- D1 resolution up to 30 fps (NTSC), 25 fps (PAL)
- MicroSDHC internal storage
- NAS recording
- Shadow Archiving
- PoE-compliant
- HTTPS security encryption
- LDAP password configuration
- RTP/RTSP support
- Browser interface for full configuration
- Bi-directional, full duplex audio
- Constant or variable bit rate
- Seamless integration with VideoSphere Intelligent Video Management software and ONVIF-compliant, third-party systems
- Compatible telemetry control with leading analog PTZ dome cameras

PART NUMBER

- VE801-MICRO

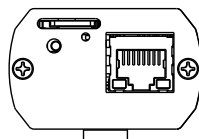
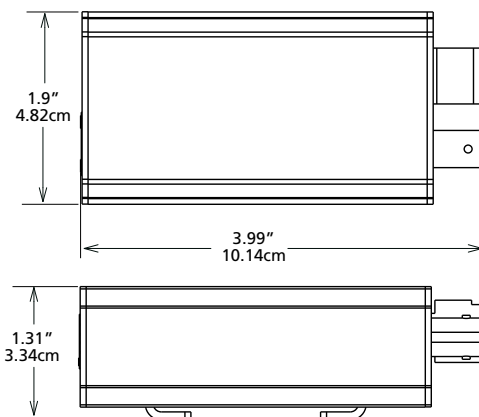
VideoSphere Edge 1 MicroEncoder

Technical Specifications



Compact size for installation in camera housings or power supply cabinets

Model	Edge 1 MicroEncoder
Frame rate	Up to 30 fps (NTSC) / 25 fps (PAL)
Video input/output	BNC, 75Ω
Audio input/output	Two way, full duplex
Alarm	1
Relay	1
Compression	H.264, MPEG-4, M-JPEG
Supported resolutions	D1, 2CIF, CIF
PTZ control	RS-485
Network interface	Ethernet 100 Mbps
Internal storage	MicroSDHC card slot
Power over Ethernet	Class 1
Power consumption	3 W maximum
Mounting options	Rackmount or wallmount via DIN dual-purpose rail adaptor
Operating temperature	32 to 122°F / 0 to 50°C
Relative humidity	20-80%
Weight	0.3 lbs / 0.14 kg
Dimensions (H x W x D)	1.31 x 1.9 x 3.99 in. / 3.34 x 4.82 x 10.14 cm
Compliance	UL60950, FCC Part 15 Subpart B, CE EN55022, EN55024, ICES-003, RoHS Directive (2002/95/EC),C-Tick



NOTES: ¹For a complete list of March Networks edge devices and compression streams compatible with the MicroEncoder when in decoder work mode, please contact your March Networks sales representative.

North America ————— 1 800 563 5564
 Latin America ————— +1 613 591 8181
 Europe, Middle East and Africa ————— +39 0362 17935
 Asia Pacific ————— +61 1300 089 419

www.marchnetworks.com

PN 060-3066-00-C

March Networks EMEA
 Via Lavoratori Autobianchi, 1
 Edificio 23
 20033 Desio - Milano - ITALY
 Phone: +39 0362 17935
 Fax: +39 0362 1793590

March Networks
 Corporate Headquarters
 303 Terry Fox Drive
 Ottawa, Ontario - CANADA K2K 3J1
 Phone: +1 613 591 8181
 Fax: +1 613 591 7337