

1.3 Megapixel Intelligent Network Camera



Outline

Improve the effectiveness of your surveillance!

Lumenera's Li175 cameras combine video content analysis with megapixel image quality.

Enabled with ObjectVideo OnBoard™ - Lumenera's intelligent camera series offers real-time video analytics at the camera head. Detailed monitoring of a scene – alerting when suspicious activity is occurring – enables surveillance operators to make more proactive decisions.

Capturing full 1280 x 1024 resolution at 30 frames/sec, these cameras deliver outstanding picture quality and performance. Adjustable JPEG and H.264 compressed still-images or live streaming video, are provided across a standard 10/100BaseT network interface.

Lumenera has simplified IP camera installation with a straightforward plug-and-play process. Standard camera control is available through an Intuitive user interface viewed with most browsers.

The I/O connector offers an interface to an external alarm sensor or control of peripheral equipment such as; IR lighting, DC iris and PTZ. Alarm notification indicates the date, time and camera IP address.

Programmable day/night settings automatically switch to enhanced low-light mode. Optional – True day/night module provides automatic sliding IR cut filter. When integrated with NIR illuminators, provides outstanding nighttime performance.

The user defined motion detection parameters across multiple zones provide more accurate triggering of alarms, while programmable privacy zones ensure compatibility with all regulations.

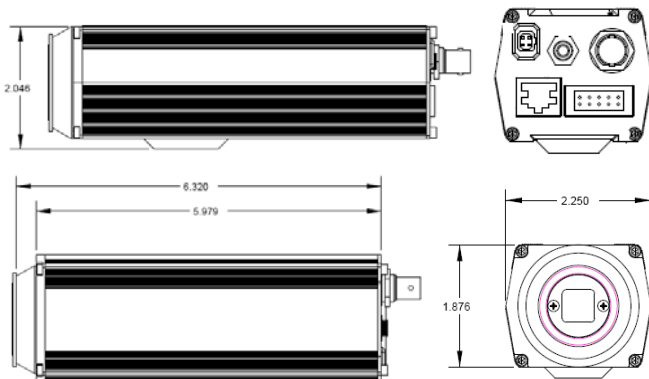
On-board memory buffers supply still images that precede and follow alarm events. Transfer of images via email, FTP, RTP or HTTP.

Camera model Li175 is a small compact form factor for fitting into outdoor housings, domes and PTZ systems. Contact us for more details. Full one (1) year warranty.

Product Features

- Intelligent camera enabled with ObjectVideo OnBoard video analytics
- 1024 lines of resolution, color or monochrome, progressive scan, 1.3 megapixel sensor
- Analog video output for easy installation
- 2-way audio
- JPEG or H.264 compression
- Easy set-up and installation
- Up to 30 fps at full 1280 x 1024 resolution
- Feature rich camera functions:
 - o Auto White Balance & Auto Exposure
 - o Day/Night Mode
 - o Configurable Compression Ratio
 - o Multiple Motion Detection Zones
 - o Support for Multi Data-Stream
- I/O control of alarms, DC iris, PTZ, lighting or other peripherals
- Optional true day/night functionality
- Image transfer via HTTP, FTP, RTP, or Email
- Camera Control via HTTP, XML-RPC, Telnet or Microsoft COM
- Security / Password Protection
- FCC Class B, CE Certified
- CS lens mount provided standard, C-mount adapter available
- Compatible with most Operating Systems (Windows™ 98 SE, Windows Me, Windows 2K, Windows NT and Windows XP, Linux and Mac)

Image Sensor	1/2" format, color or mono, 7.7 mm x 6.1 mm array
Effective Pixels	1280 x 1024, 6.0 µm square pixels
Frame Rate	Captures 30 fps at 1280 x 1024
Dynamic Range	55 dB
Sensitivity	0.5 lux at F 1.0
Auto Exposure	Automatic / Manual
White Balance	Automatic / Manual
Dimensions (W x H x D)	2.0" x 2.25" x 6.3" (not including lens)
Mass	~300g
Power Requirement	PoE (802.3af), or external 24VDC
Power Consumption	< 6 Watts
Operating Temperature	-10°C to +50°C (environmental enclosure will provide extended temperatures with fan / heater)
Operating Humidity	5%-95%, Non-condensing
Interface Connector	RJ45 twisted pair cable, 10/100baseT Ethernet
Lens Mount	Adjustable CS-Mount (lens not included)
Image Buffer	128 MB (hundreds of full res images)
Analog Output	NTSC composite video, BNC jack



Ordering Information

Li175C	– Network Color Camera
Li175M	– Network Monochrome Camera
Li175C-DN	– Network Color Camera with optional Day/Night module
Lu8401	– Power Supply w International Plugs, 24VDC/1A Output
Lu8501	– Power Supply w International Plugs, 12VDC/2A Output
OV1, OV2, OV3	- Video Analytics Options

Recommended PC Specifications

O/S: Windows XP (SP 2)
 CPU: 2.8GHz or above Pentium computer (required for full frame rate preview)

600Mhz or above Pentium compatible computer (for basic functionality)

Network: 100 Mbps Ethernet LAN
 Browser: Internet Explorer v.7

