



## Outline

### *See the difference megapixel resolution makes!*

Lumenera's Le165 series of megapixel cameras are designed for general and high-end security applications, particularly in low-light conditions and where high dynamic range is required.

Streaming full 1376x1032 resolution at 15 fps, these cameras deliver outstanding picture quality and performance. Adjustable JPEG and MJPEG compressed still-images or live streaming video are provided across a standard 10/100BaseT network interface.

Lumenera has simplified IP camera installation with a straightforward plug-and-play process. Intuitive user interface viewed with most browsers provides standard camera control.

The I/O connector provides an interface to an external alarm sensor or control of peripheral equipment such as; IR lighting, DC iris and PTZ. Alarm notification provides the date, time and camera IP address.

Programmable day/night settings automatically switch to enhanced low-light mode. Optional – True day/night module provides automatic sliding IR cut filter. When integrated with NIR illuminators, provides outstanding nighttime performance.

The user defined motion detection parameters across multiple zones provide more accurate triggering of alarms, while programmable privacy zones ensure compatibility with all regulations.

On-board memory buffers supply still images that precede and follow alarm events. Transfer of images via email, FTP, RTP or HTTP.

Model Le165 is very compact, contained in an all-metal housing and can be mounted stand-alone or by means of standard environmental enclosures. Call with your enclosure requirements today.

## Product Features

- ❑ **Ultimate** in low light sensitivity and image quality
- ❑ **Easy installation and set-up**
- ❑ **>1000 lines of resolution, color or monochrome, progressive scan, 1.4 megapixel, ExView HAD CCD sensor**
- ❑ **15 fps at full 1376x1032 resolution  
27 fps at 640x480 (binned) resolution**
- ❑ **Feature rich camera functions:**
  - **Auto White Balance & Auto Exposure**
  - **Day/Night Mode**
  - **Configurable Compression Ratio**
  - **Multiple motion detection zones**
- ❑ **I/O control of alarms, DC iris, PTZ, lighting or other peripherals**
- ❑ **Optional true day/night functionality**
- ❑ **Image transfer via HTTP, FTP, RTP, or Email**
- ❑ **Camera Control via HTTP, XML-RPC, Telnet or Microsoft COM**
- ❑ **Security / Password Protection**
- ❑ **FCC Class B, CE Certified**
- ❑ **CS lens mount provided standard, C-mount adapter available**
- ❑ **Compatible with most Operating Systems (Windows™ 98 SE, Windows ME, Windows 2K, Windows NT and Windows XP, as well as Linux and Mac)**
- ❑ **Full 1 year warranty**

# Specifications

# Le165

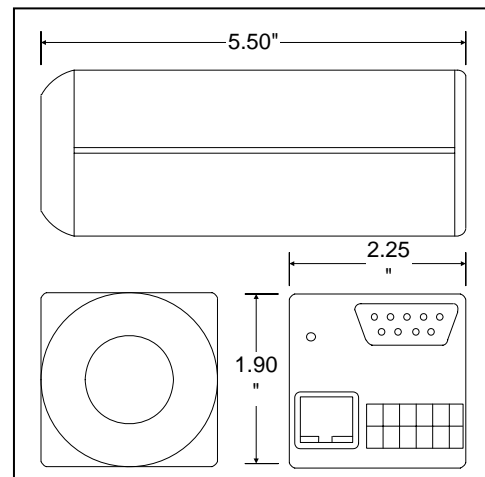
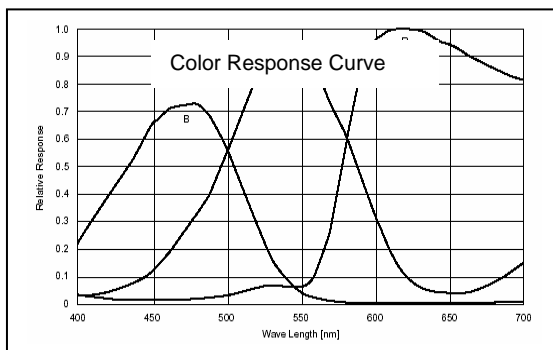
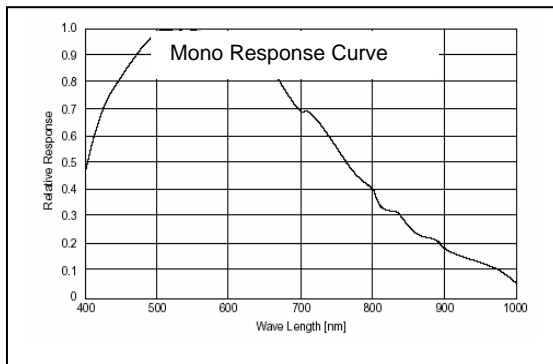
Image Sensor	<b>2/3" format, color or mono, 10.2mm x 8.3mm array</b>
Effective Pixels	<b>1392 x 1040, 6.45um square pixels</b>
Frame Rate	<b>15 fps at 1376 x 1032, 27 fps at 640x480 (binned or ROI)</b>
Dynamic Range	<b>72dB</b>
Sensitivity	<b>&lt;0.1 lux at F 1.0</b>
Auto Exposure	<b>Automatic / Manual</b>
White Balance	<b>Automatic / Manual</b>
Dimensions (W x H x D)	<b>1.9" x 2.25" x 5.5" (not including lens)</b>
Mass	<b>~300g</b>
Power Requirement	<b>9-24V AC or DC</b>
Power Consumption	<b>~5 Watts</b>
Operating Temperature	<b>-10° C to +50° C (environmental enclosure will provided extended temperatures with fan / heater)</b>
Operating Humidity	<b>20%-80%, Non-condensing</b>
Interface Connector	<b>RJ45 twisted pair cable, 10/100baseT Ethernet</b>
Lens Mount	<b>Adjustable CS-Mount (lens not included)</b>
Image Buffer	<b>48 MB (up to 480 full res images)</b>

## Recommended PC Specifications

O/S: Windows 2000 (SP 3), or XP (SP 1)  
CPU: 2.8GHz or above Pentium computer (required for full frame rate preview)

600Mhz or above Pentium compatible computer (for basic functionality)

Network: 100 Mbps Ethernet LAN  
Browser: Internet Explorer v6.0



## Ordering Information

Le165C	- 1.4 Megapixel Color Camera
Le165M	- 1.4 Megapixel Monochrome Camera
Le165C-DN	- 1.4 Megapixel Color Camera with optional Day/Night module
Le165M-DN	- 1.4 Megapixel Mono Camera with optional Day/Night module