



Ultra-Wide Dynamic Range Network Camera

Outline

See all scenes with ultra-wide dynamic range!

Lumenera's Le045 series of network cameras are designed for general security applications, providing high quality, progressive scan images in high contrast environments.

Streaming full 720x480 resolution at up to 30 frames/sec, these cameras deliver outstanding picture quality and performance. Adjustable MJPEG and H.264 compressed still-images or live streaming video, are provided across a standard 10/100BaseT network interface.

Lumenera has simplified IP camera installation with a straightforward plug-and-play process. Intuitive user interface viewed with most browsers provides standard camera control.

The I/O connector provides an interface to an external alarm sensor or control of peripheral equipment such as; IR lighting, DC iris and PTZ. Alarm notification provides the date, time and camera IP address.

Programmable day/night settings automatically switch to enhanced low-light mode. Optional – True day/night module provides automatic sliding IR cut filter. When integrated with NIR illuminators, provides outstanding nighttime performance.

The user defined motion detection parameters across multiple zones provide more accurate triggering of alarms, while programmable privacy zones ensure compatibility with all regulations.

On-board memory buffers supply still images that precede and follow alarm events. Transfer of images via email, FTP, RTP or HTTP.

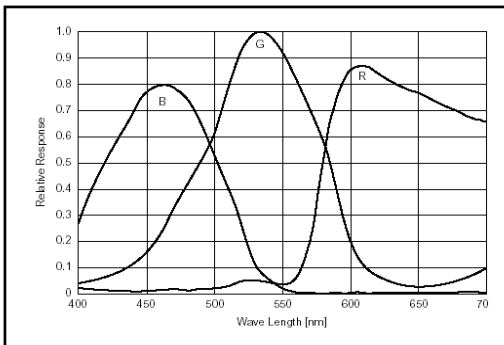
Model Le045 is very compact, contained in an all-metal housing and can be mounted stand-alone or by means of standard environmental enclosures. Call with your enclosure requirements today.

Product Features

- Ultra-wide dynamic range 102dB (typical)/120dB (max)
- MJPEG or H.264 compression
- Optional true day/night functionality
- Easy set-up and installation
- 480 lines of resolution, color, progressive scan, 720x480 pixel sensor
- Analog Video - NTSC
- Up to 30 fps at full 720x480 resolution
- Feature rich camera functions:
 - Auto White Balance & Auto Exposure
 - Day/Night Mode
 - Configurable Compression Ratio
 - Multiple motion detection zones
- I/O control of alarms, DC iris, PTZ, lighting or other peripherals
- Image transfer via HTTP, FTP, RTP, or Email
- Camera Control via HTTP, XML-RPC, Telnet or Microsoft COM
- Security / Password Protection
- FCC Class B, CE Certified
- CS lens mount provided standard, C-mount adapter available
- Compatible with most Operating Systems (Windows™ 98 SE, Windows Me, Windows 2K, Windows NT and Windows XP, as well as Linux and Mac)
- Full 1 year warranty

Image Sensor	1/3" format, color (only), 5.04mm x 3.78mm array
Effective Pixels	720x480, 7µm square pixels
Frame Rate	30 fps at 720x480
Dynamic Range	102dB (typical) 120dB (max)
Sensitivity	0.5 lux at F 1.0
Auto Exposure	Automatic / Manual
White Balance	Automatic / Manual
Dimensions (W x H x D)	1.9" x 2.25" x 5.0" (not including lens)
Mass	~300g
Power Requirement	PoE (802.3af), or external 24VDC
Power Consumption	<8 Watts
Operating Temperature	-10°C to +50°C (environmental enclosure will provide extended temperatures with fan / heater)
Operating Humidity	5%-95%, Non-condensing
Interface Connector	RJ45 twisted pair cable, 10/100baseT Ethernet
Lens Mount	Adjustable CS-Mount (lens not included)
Image Buffer	4MB

Color Response



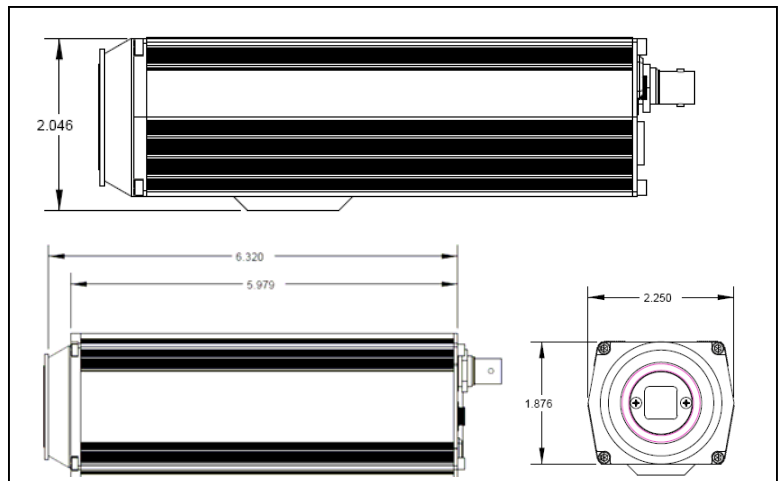
Recommended PC Specifications

O/S: Windows 2000 (SP 3), or XP (SP 1)
CPU: 2.8GHz or above Pentium computer
(required for full frame rate preview)

600Mhz or above Pentium compatible
computer (for basic functionality)

Network: 100 Mbps Ethernet LAN
Browser: Internet Explorer v6.0

Mechanical Drawings



Ordering Information

- Le045C – Network Color Camera
- Le045C-DN – Network Color Camera with optional Day/Night module