

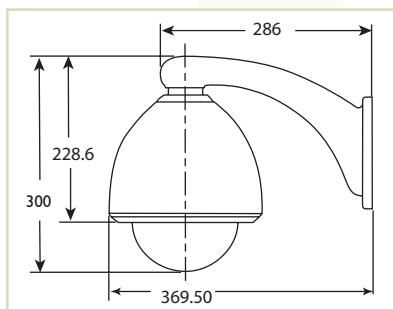
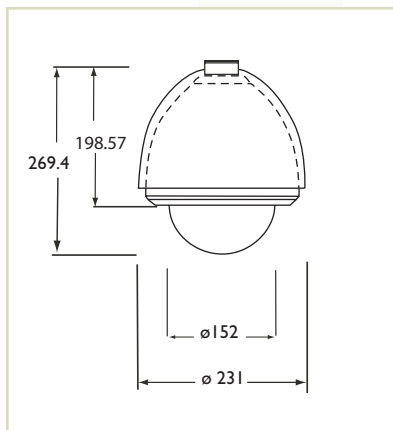


- Day/Night Operation
- Supports Most Major Codes & Protocols
- Quick Connect PTZ Module for Fast Installation
- 128 Presets with Editable Titles
- 23X,30X, 35X, Zoom Lens Options
- Built-in Alarm - 7 inputs, 2 outputs
- Indoor and Outdoor (IP66) Versions
- Electronic Image Stabilization (30X, 35X)

Pan / Tilt / Zoom Camera PTZA6- Series

The Aigis PTZA6- series high speed pan/tilt/zoom camera combines high quality imaging with smooth, reliable operation. The PTZA6- is compatible with most industry control and switching systems. Other features include 128 presets with tour mode, cruise tours, pattern tours, multiple alarm input and outputs and privacy masking. Additionally the PTZA6- series offers a variety of quality mounting options designed to work in a wide range of applications.

Specifications



PTZA6- SERIES	
Manual speed	Pan (0.4° ~ 320°/sec)
Preset speed	Tilt (0.4° ~ 150°/sec)
Preset speed	420°/sec
Range of Motion	Continuous 360° Horizontal; 0 ~ 180° Tilt with Auto-Flip at 90°
Speed Adjustment	Manual Pan/Tilt speed auto-adjusts to focal length
Presets	128 presets with user-defined titles, 4 Patterns, 1 Preset Tour
Scan	4 available scans with 355° programmable range
Display Zones	8 user-defined zones with titles
Alarm Function	7 alarm inputs, 2 alarm outputs
Sync Mode	Internal Sync
Decoder	Built-in
Video Output	Female BNC, 75Ω, 1.0±0.2Vp_p
Remote Control Protocol	RS485/422 BUS, Coaxial Video Control
Baud Rate (RS485)	2400 / 4800 / 9600 / 19200 bps
ID Range	1 ~ 254
Temperature	Indoor Units -10° C ~ +60°C (+14°F ~ +140°F)
	Outdoor Units -40°C ~ +60°C (-40°F ~ +140°F)
Humidity	0~95% RH (Non-condensing)
Environmental	IP66, both Indoor and Outdoor (no heater or sunshield in Indoor)
Power Requirements	24VAC ± 4V, Indoor 10W, Outdoor 50W
Dimensions	Pendant Version: ø231mm x 271mm(H) (ø9.09in x 10.67in(H))
	Recessed Version: ø245mm x 252mm(H) (ø9.65in x 9.92in(H))
Net Weight	Pendant Version: 6.5kg (14.3lbs) Wall Arm: 1.0kg (2.2lbs)
	Recessed Version: 3.3kg (7.28lbs)

CAMERA SPECIFICATIONS			
	23H	30H	35H
Signal System	NTSC		
Resolution	540TVL	540TVL (Typ.) 520TVL Min.	
Zoom (Optical)	23X	30X	35X
Zoom (Digital)	12X		
Electronic Image Stabilization	No	Yes	Yes
Imaging Element	1/4" Sony Exview HAD CCD		
Scanning System	Progressive Scan	Progressive Scan / 2:1 Interlacing	
Effective Pixels	752 (H) x 582 (V)		
Scan Frequency	Pan 15.625KHz / Tilt 50Hz		
Min. Sensitivity (Typ.)			
IR-Cut On (1/60s)	1.0 Lux	0.5 lx / 1.0 lx *	
IR-Cut On (1/4s)	0.1 Lux	0.05 lx / 0.1 lx *	0.05 lx / 0.1 lx
IR-Cut On (1/2s)	0.05 Lux	0.025 lx / 0.05 lx *	0.025 lx / 0.05 lx
IR-Cut Off (1/4s)	0.01 Lux	Approx. 0.01 lx (Progressive)	Approx. 0.01 lx (Progressive)
		* Interlaced / Progressive Scan	
Lens (mm)	3.6 - 82.8	3.4 - 102	3.4 - 119
Angle of View (W / T)	57.0° / 2.5°	55.5° / 2.5°	55.8° / 1.7°
Iris	Auto / Manual		
Focus	Auto / Manual		
White Balance	Auto / Manual (R/B gain adjustable)		
BLC	Off / Auto		
S/N Ratio	> 50dB		
Electronic Shutter	1/1.5~1/30,000s	1/1.5~1/30,000s	1/2~1/30,000s
Video Output	1.0 ± 0.2Vp-p		
Video Connector	Female BNC (jack)		
Wide Dynamic Range	Yes		
Privacy Masking Zones	8		

ORDERING GUIDE

Order the camera that meets your needs. Start with the product category, then specify your camera requirements. Select from the options available to complete your custom unit. If you need further customization - call the factory with your exact specification requirements.

ACCESSORIES

- AJ1-B:** Joystick, RS485/422; I2VDC; 3-Axis
- MT-PTZC:** Corner Mount Bracket
- MT-PTZL:** Pole Mount Bracket
- MT9230:** Parapet Mount
- MT-PTZ2X2:** Rail support kit (recessed units) for a 2'x2' drop ceiling tile.

EXAMPLE PART NUMBER: PTZA6-2P35H Outdoor, Pendant Mount 35X Zoom, w/ RS485 protocol

model	environment	mount	zoom*	protocol
PTZA6-	2	P	35H	
Aigis Pan/Tilt/Zoom Dome	1- Indoor 2- Outdoor	W - Wall Mount P - Pendant Mount R - Recessed (Indoor)	23H, 30H, 35H	RS422/485 C - control over coax

* See Specifications Table for Zoom Lens and Imager Specifications.



1950 Camino Vida Roble, Suite 150
 Carlsbad, CA 92008
 Tel: 760.438.7000 800.421.1587
 www.aigismech.com • www.linearcorp.com