



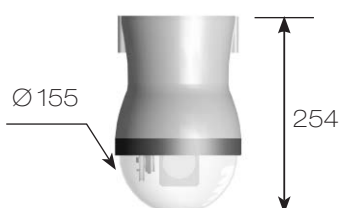
The IPS5300E is 1080P HD IP PTZ Dome camera. The high-speed dome is capable of streaming HD video at up to 30 FPS. Featuring LILIN's Wide dynamic Range (WDR) feature, the IPS5300E captures highlights and shadows simultaneously, eliminating pixilation and smear. Combine this with 3D Noise Reduction technology and adaptive tone reproduction and the contrast of images in bright or dark areas is dramatically improved. Capable of making 360° continuous rotations, users can accurately position the camera to identify specific targets. The 30x optical zoom gives the IPS5300E an impressive range. With a focal length of 4.4mm – 132mm, the IPS5300E is ideal for numerous applications.

FEATURES :

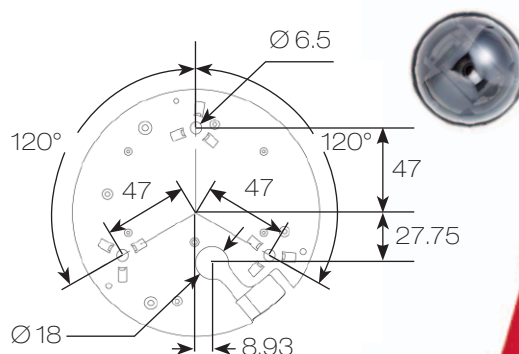
- 30X Optical Zoom Lens(4.4 – 132mm)
- 12X Digital zoom
- Full HD 2.1 megapixel CMOS image sensor
- True H.264 AVC/MPEG-4 part 10 real-time video compression
- H.264 and Motion JPEG multi-profile video streaming
- Wide dynamic Range
- Digital noise reduction
- Sens. Up Function
- Dynamic Privacy Zone Mask
- 360° Endless panning
- 2-way audio supported
- iPhone and Android Support
- Onvif supported

DIMENSIONS : (Unit : mm)

Ø 155 x 245



INSTALLATION HOLE SITE DIAGRAM :



SPECIFICATION :

Name	30X Day & Night 1080P HD PTZ Dome IP Camera (Indoor)	
Model	IPS5300E	
Power consumption	PoE+ 14W	
Image pick-up device	1/3 Type CMOS Sensor	
Effective pixels	1944 (H) x 1092 (V) = 2,122,848 (pixels)	
Total number of pixel	1956 (H) x 1266 (V) = 2,476,296 (pixels)	
Scanning system	Progressive scan	
Video output	CVBS 1.0 Vp-p / 75 Ω BNC	
Minimum illumination	0.4 lux (1/30 sec, F1.4(Wide), 50 IRE, AGC-Gain:45dB ICR-OFF)	
	0.1 lux (1/8 sec, F1.4(Wide), 50 IRE, AGC-Gain:45dB ICR-OFF)	
	0.01 lux (1/8 sec, F1.4(Wide), 50 IRE, AGC-Gain:45dB ICR-ON)	
Ambient operation temperature	-10°C – + 50°C (14°F – 122°F)	
Operating humidity	0% – 90%	
Dimensions	245 mm (H) x 155 mm (D)	
Weight	2300 g	
Pan & tilt		
Panning range	360° Endless	
Panning mode	Manual , auto , manual position , sequential position	
Panning speed	Manual approx. 0.15°/s – 120°/s 8 Steps, 16 Steps / Preset approx. 1°/s – 255°/s, Alarm Trigger Speed 360°/s	
Tilting range	- 6° – + 96°	
Tilting mode	Manual , auto , manual position , sequential position	
Tilting speed	Manual approx. 0.15°/s – 120°/s 8 Steps, 16 Steps / Preset approx. 1°/s – 255°/s, Alarm Trigger Speed 360°/s	
Lens		
Zoom ratio	30x Optical zoom	
Focal length	4.4 mm (WIDE) to 132.0 mm(TELE)	
Minimum aperture ratio	1 : 1.4 (Wide) – 4.6 (Tele)	
Minimum object distance	10 mm (WIDE end), 1.5m (TELE end)	
Iris range	F1.4 – 32 , Close	
Angle field of view	Approx. 63.4°(H) 38.51°(V) (WIDE end), approx. 2.3°(H) 1.33°(V) (TELE end), (1080p mode)	
Main functions		
Control function	Pan and Tilt / Zoom and Focus / Iris and ICR / 128 Preset Position / Home Position	
Digital zoom ratio	12X	
Zoom speed	Slow / MID. / Fast Selectable [Fast : Approx. 5.0 Second (Tele to Wide) in Manual Mode]	
Focus speed	Slow / MID. / Fast Selectable [Fast : Approx. 5.0 Second (Far to Near) in Manual Mode]	
Focus	Auto / Manual	
Iris	Auto / Manual	
Day & Night	Day / Night / Auto	
Sense up (Slow shutter)	OFF / Auto	
Electric shutter speed	Auto / manual(1/1 to 1/30,000)	
Exposure mode	Auto / Manual	
Back light compensation	OFF / BLC / WDR	
Sharpness	Adjustable	
White balance	ATW / Manual (1800K – 10500K)	
Auto gain control	0 – 45dB	
Digital noise reduce	OFF / ON (2D , 3D)	
Enhanced Intensity	OFF / ON / HLC	
Defog	OFF / ON (Defog-1 , Defog-2 , Defog-3 , AUTO)	
Electronic Image Stabilization	OFF / ON (Digital Zoom max 2.0x)	
Auto mode	OFF / AUTO / SEQ / TOUR / PATROL	
Dynamic privacy zone mask	OFF / ON (Up to 16 area)	
Digital effect	OFF / Mirror / Flip	
Alarm input / output	6 Input (TTL 5Vdc) , 2 Output (0.5A 120Vac,1A 24Vac)	
Schedule setting	OFF / AUTO / SEQ / TOUR / PATROL / Preset Position	
NETWORK		
Video compression	H.264, Motion JPEG	
Resolution	1080P(1920 x 1080), 720P(1280 x 720), D1(720 x 480), CIF(352 x 240)	
Multiple profile	Profile #1	H.264 : up to 30 FPS @ 1920 x 1080 , MJPEG : up to 30 FPS @ 720 x 480
	Profile #2	H.264 : up to 30 FPS @ 1280 x 720 , MJPEG : up to 30 FPS @ 352 x 240
	Profile #3	H.264 : up to 30 FPS @ 1920 x 1080 , MJPEG : up to 30 FPS @ 1280 x 720
	Profile #4	H.264 : up to 30 FPS @ 720 x 480 , MJPEG : up to 15 FPS @ 1920 x 1080
Frame rate	H.264 : up to 30 FPS at SXGA(1280 x 1024) Motion JPEG : up to 30 FPS at D1(720 x 480)	
Video streaming	RTP/HTTP, RTP/TCP, RTP/UDP, Multicast	
Video bitrate	128 Kbps to 5 Mbps	
	Frame rate and bitrate controllable on-the-fly VBR / CBR / GOP supported	
Security	Base64 HTTP encryption	
	Multiple user access levels with password protection 10 user accounts available	
Users	8 simultaneous users	
OSD	Text overlay for date, time, and camera name	
Alarm function	Image upload over FTP and E-mail by alarm / motion detection	
CPU, memory	Embedded SoC ARM11, 528MHz, 256MB DDR2, 256MB flash memory	
Web PTZ control	Pan , tilt , zoom in / out , absolute position, and video-click-n-move	
PTZ preset scheduling	Yes, via web interface	
Maintenance	Firmware update via HTTP	
	Firmware available at web site	
Network interface	10Mbps / 100Mbps , RJ-45	
Client pc requirement	OS : Windows 2000, Windows XP, Windows Vista, Windows 7, Windows 8	
	Browser : Windows Internet Explorer 6.0 or above	
	CPU : intel pentium 4 1.8GHz or above RAM : 1GB or above, Independent Display Card	
Network protocols	IP, TCP, UDP, HTTP, SMTP, NTP, DDNS, UPnP, FTP, ARP, DHCP, PPPoE, DNS, RTSP, RTCP, Telnet, ICMP, IGMP, ONVIF Profile S, SNMP	
Mobile phone	iPhone, iPad, and Android	
System integration	ONVIF & LILIN HTTP API	
Central management system	NAV 1.0 support	
Video display	LILIN Universal ActiveX & LILIN Java Applet	
OS	Embedded Linux 2.6.32	
Two-way audio	G.711	
SD card recording	Support Micro SD/SDHC/SDXC card for circular recording (card is not included)	

