



FD2452 / FD2452V

DAY & NIGHT 360° PANORAMA HD IP CAMERA



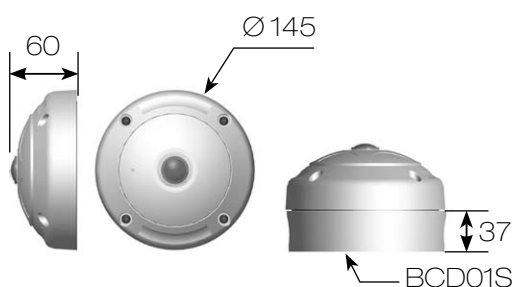
LILIN FD2452 is a fixed dome IP security camera featuring a fisheye lens for 360° panoramic wide angle view without any blind spots. The fisheye lens with high resolution provides 360° wide view surveillance, and the panorama function with quad view enables 4 different angle images to display for recording and monitoring at the same time. This latest fisheye fixed dome network camera introduced by LILIN, featuring a detailed 5-Megapixel resolution CMOS sensor with superb image quality. With flexible design of FD2452 allows it to be applied in various IP surveillance environments. LILIN FD2452 delivers clear images via multi-streaming H.264 and Motion JPEG video up to 1,920 x 1,080 pixels, and also offers electronically pan, tilt, and zoom function that allows can give users access different video modes including: 180° double table/broad view or 360° source image view.

FEATURES :

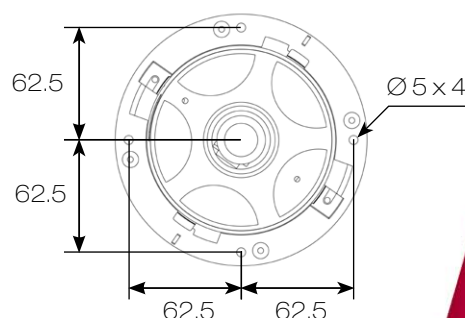
- True H.264 AVC/MPEG-4 part 10 real-time video compression
- H.264 and Motion JPEG multi-profile video streaming
- 3D Noise Reduction / 2D WDR function
- Provide 360 degree view of entire scene without any blind spot
- 360 degree entire scene from one camera and no mechanical PTZ (Pan, Tilt, Zoom) motor needed
- Up to 4 independent distortion corrected view angle can be specified
- Audio / motion / alarm detection
- Day & Night (IR cut removable)
- 2-way audio supported
- Built-in highly sensitive microphone
- Digital I/O : 1 in, 1 out
- ONVIF Profile S supported
- Impact Resistant Polycarbonate Dome Cover (for FD2452V)

DIMENSIONS : (Unit : mm)

Ø 145 x 60



INSTALLATION HOLE SITE DIAGRAM :



SPECIFICATION :

Name		Day & Night 360° Panorama Dome HD IP Camera	
Model		FD2452E	FD2452V
Lens	Focal length		1.05 mm
	Iris		F2.8
	Angle of view	H	185°
		V	185°
D		185°	
Pick up element		1/2.5" CMOS image sensor	
Effective pixels		2592 (H) x 1944 (v) = 5,038,848 (pixel)	
Chip size		5.70m m (H) x 4.28m m (V)	
Scanning system		Progressive scan	
Infrared cut filter		Auto / schedule / day (color) / night (mono)	
Min. illumination		0.7 Lux at F2.8 (Low light mode)	
White balance		Auto / fluorescents1 / outdoor1 / outdoor2	
Shutter range		Auto / 1 / 2 / 3	
Auto gain control		Auto	
3D Noise Reduction		Off / 1 - 32 selectable	
2D WDR		Off / x1 / x2 / x3 / x4 / x5	
Privacy masking		Off / on (4 zones)	
Image effects		Brightness, contrast, saturation, sharpness	
Screen mode		Full panorama / wide panorama / around panorama / 4 window / 1 window	
Live Video output		Cvbs 1.0Vp-p, 75 ohm, BNC connector	
Audio in / output		Mono, 1.4 Vp-p , 50 kΩ , 3.5mm phone jack	
IP rating		-	IP54
Vandal resistant rating		-	IK8
Operating temperature		-25°C - +50°C (-13°F - 122°F)	
Dimension		Ø 145 x 60mm	
Weight		600g	
Power supply		DC12V ±10% / PoE (IEEE 802.3 af compliant)	
Power consumption		DC12V, 8W / PoE, 9.2W	

NETWORK			
Video compression		H.264 , Motion jpeg	
Resolution		1080P(1920x1080), 720P(1280x720), D1(720x480), CIF(352x240)	
Multiple profile	Profile #1	H.264 : up to 30 FPS @ 1920 x 1080 , Mjpeg : up to 30 FPS @ 720 x 480	
	Profile #2	H.264 : up to 30 FPS @ 1280 x 720 , Mjpeg : up to 30 FPS @ 352 x 240	
	Profile #3	H.264 : up to 30 FPS @ 1920 x 1080 , Mjpeg : up to 30 FPS @ 1280 x 720	
	Profile #4	H.264 : up to 30 FPS @ 720 x 480 , Mjpeg : up to 15 FPS @ 1920 x 1080	
Video streaming		RTP/HTTP, RTP/TCP, RTP/UDP, Multicast	
Video bitrate		128Kbps - 10Mbps	
		Frame rate and bit rate controllable on-the-fly	
		VBR / CBR / GOP supported	
Security		Base 64 http encryption	
		Multiple user access levels with password protection	
		IP filter with access log	
		10 user accounts available	
Users		8 Simultaneous users	
ePTZ		Yes, controlable	
OSD		Text overlay for date, time, and camera name	
Alarm function		Alarm / motion / alarm detection triggering recording into sd card Image upload over ftp and e-mail by audio / motion detection	
CPU, memory		Embedded soc arm11, 528MHZ, 256MB DDR2, 256Mb flash memory	
Maintenance		Firmware update via http	
		Firmware available at web site	
Network interface		10Mbps / 100Mbps base-t, RJ-45	
PC requirement		OS : Windows 2000, Windows XP, Windows Vista, Windows 7, Windows 8	
		Browser : Windows Internet Explorer 6.0 or above	
		CPU : intel pentium 4 1.8GHz or above	
		RAM : 1GB or above, independent display card	
Network protocols		IP, TCP, UDP, HTTP, SMTP, NTP, DDNS, UPnP, FTP, ARP, DHCP, PPPoE, DNS, RTSP, RTCP, Telnet, ICMP, IGMP, ONVIF Profile S, SNMP, SIP, Bonjour	
Mobile phone		iPhone, iPad, and Android support	
System integration		ONVIF & LILIN HTTP API	
Central management system		CMX 3.6 / NAV 1.0 support	
Video display		LILIN universal activex & LILIN java applet	
OS		Embedded linux 2.6.32	
Two-way audio		G.711 / PCM	
SD card recording		Support Micro SD/SDHC card for circular recording (card is not included)	
Alarm input / output		Digital 1 input (TTL, +3 - 5VDC) / 1 Output (MOS Relay contact N.O., Load max. 40VDC/300mA)	