

Vari-focal Dome Camera

LVC-DV110HM (NTSC) LVC-DV110HP (PAL)



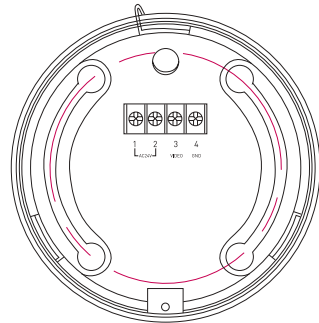
Feature

- Digital Signal Processing (DSP)
- Optical x2 varifocal lens
- 480 TV lines of horizontal resolution
- High sensitivity with a minimum scene illumination of 0.5 lux (F1.2)
- BLC covers various light conditions
- Auto White Balance
- Excellent signal-to-noise ratio of 48dB
- External synchronization with line-lock
- Built in varifocal and DC(Auto) iris lens (f=2.6~6.0mm / F1.4 : LVC-DV111) (f=4.0~9.0mm / F1.6 : LVC-DV110)

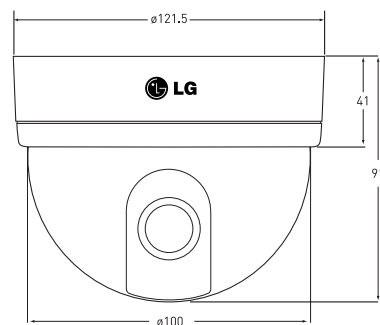
Specifications

Model	LVC-DV110HM	LVC-DV110HP
Signal System	NTSC	PAL
Total / Effective Pixels	410K / 380K	470K / 440K
Pick-up Device	1/3-Inch Interline Color CCD (Super HAD)	
Lens	f=2.6~6.0mm / F1.4, f=4.0~9.0mm / F1.6, DC IRIS	
Angular Field of View	125.0°~60.0° (f=2.6~6.0mm), 92.6°~39.4° (f=4.0~9.0mm)	
Focus	Manual	
Signal Process	Digital Signal Process	
Scanning System	2:1 Interlace	
Sync. System	Line Lock	
Scanning Frequency	59.94HZ(VD)	50HZ(VD)
Resolution	480 TV Lines	
S/N Ratio	More than 48dB	
Standard Illuminance	2000 Lux (3200°K)	
Sensitivity (1/3 Output)	0.5 Lux (F1.2)	
Video Output Signal	1Vp-p Composite (75Ω)	
Gain Control	Auto	
Shutter Speed	Electronic Shutter(1/60~1/10000)	Electronic Shutter(1/50~1/10000)
White Balance	Auto	
Back Light	Compensation On/Off, Auto	
Power Source	AC24V	
Power Consumption	3W	
Operation Temperature	-10°C~50°C (Humidity:0%RH~60%RH)	
Storage Temperature	-20°C~60°C (Humidity:0%RH~85%RH)	
Weight	273g	
Dimensions	ø121.5mm (Dia)x91mm(H), Dome Size=ø100	

Rear View



Dimension (unit : mm)



Dome Camera

LVC-D200HM (NTSC) LVC-D200HP (PAL)



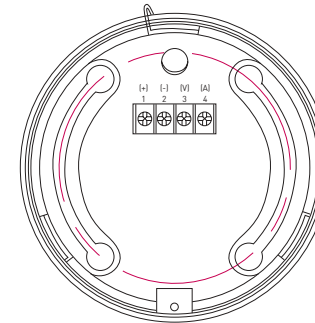
Feature

- Digital Signal Processing (DSP)
- 480 TV lines of horizontal resolution
- High sensitivity with a minimum scene illumination of 0.5 lux(F1.2)
- BLC covers various light conditions
- Auto White Balance
- Internal synchronization

Specifications

Model	LVC-D200HM	LVC-D200HP
Signal System	NTSC	PAL
Total / Effective Pixels	410K / 380K	470K / 440K
Pick-up Device	1/3-Inch Interline Color CCD (Super HAD)	
Lens	Fixed Lens (f=3.0mm, 3.7mm, 6.0mm, 8.0mm, 12mm)	
Angular Field of View	115° (f=3.0mm), 92° (f=3.7mm), 54° (f=6mm), 38.6° (f=8mm), 25.7° (f=12mm)	
Focus	Manual	
Signal Process	Digital Signal Process	
Scanning System	2:1 Interlace	
Sync. System	Internal	
Scanning Frequency	59.94HZ(VD)	50HZ(VD)
Resolution	480 TV Lines	
S/N Ratio	More than 48dB	
Standard Illuminance	2000Lux (3200°K)	
Sensitivity (1/3 Output)	0.5 Lux (F1.2)	
Video Output Signal	1Vp-p Composite (75Ω)	
Gain Control	Auto	
Shutter Speed	Electronic Shutter(1/60~1/10000)	Electronic Shutter(1/50~1/10000)
White Balance	Auto	
Back Light	Compensation On/Off, Auto	
Power Source	DC12V	
Power Consumption	2.3W	
Operation Temperature	-10°C~50°C (Humidity:0%RH~60%RH)	
Storage Temperature	-20°C~60°C (Humidity:0%RH~85%RH)	
Weight	182g	
Dimensions	ø120mm (Dia)x76.5mm (H), Dome Size=ø100	

Rear View



Dimension (unit : mm)

