



# LNL-500B

## Biometric Reader Interface Gateway

### Overview

The Lenel Biometric Reader Interface Gateway (BRI) is an extremely versatile and vital link between the Lenel LNL-2000 Intelligent System Controller (ISC) and biometric readers from multiple manufacturers. Using OnGuard Access, the gateway can be uniquely configured to support Recognition Systems hand geometry readers, Identix fingerprint readers or Bioscrypt fingerprint readers.

The BRI communicates at 38.4Kbps via RS-485 multidropped configuration to the ISC. The gateway has two downstream RS-485 2-wire ports, each of which supports up to 4 uniquely addressed biometric readers. Each downstream port supports biometric readers located up to 4,000 feet away from the BRI. The BRI is not supported on the LNL-500 or LNL-1000 controller, due to the memory space requirements of biometric templates.

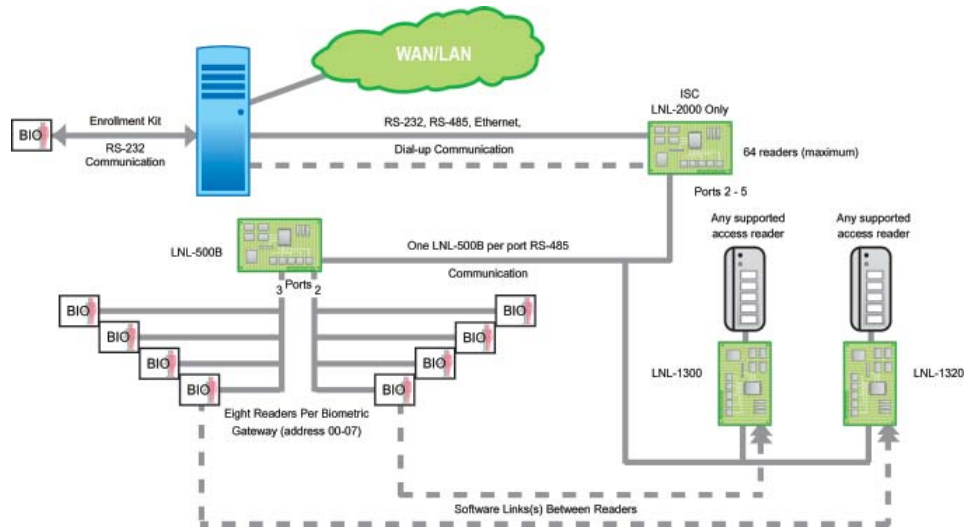
### Features and Functionality

- Host and downstream communications - 38.4 Kbps, 2-wire RS-485 multidropped communications
- 12 VDC or 12 VAC input power @ 250 mA or 400 mA
- Supports up to 8 biometric readers
- Supported biometric readers:
  - Ingersoll Rand - HandKey II, ID3D and HandKey CR
  - Identix V20
  - Bioscrypt V-FLEX, V-PASS-FX and V-STATION
  - Lenel LNL-BIO007-xxx Reader
- Flash memory for real time program updates
- Status LEDs for heartbeat, upstream and downstream communications
- Two dedicated inputs for Cabinet Tamper and Power Failure status
- Onboard RS-485 termination jumpers
- Easy to configure dip switches for address and communications speeds
- Supports fingerprint and PIN code two-factor authentication
- Onboard program configuration and clock battery backup
- CE Marked, UL-294 and 1076 listed



A UTC Fire & Security Company

# LNL-500B



## Reader Options

LNL-500B

Lenel Biometric Reader Interface Gateway - 12 VDC or 12 VAC, (5 year lithium battery) 512KB standard memory, support for a maximum of 8 IR Hand Geometry readers per interface (supported readers include IR ID3D, HandKey II and HandKey CR; Identix V20; Bioscrypt V-FLEX, V-PASS-FX, V-STATION; and Lenel Bio007)

## Power Supplies & Enclosures

LNL-AL400ULX

Lenel UL Listed 4 A, 110 VAC Power Supply - 12 VDC or 24 VDC 4 A output (switch selectable), 120 VAC input, continuous supply current with enclosure (12 x 16 x 4.5 in.), lock and open frame transformer, tamper switch, UPS capable (battery optional), UL approved

LNL-AL600ULX-4CB6

Lenel UL Listed Power Supply - 12 VDC or 24 VDC 6 A output (switch selectable), 120 VAC (1.6 amps) input, continuous supply current with enclosure (18 x 24 x 4.5 in.), lock and open frame transformer, tamper switch, UPS capable (battery optional), UL approved

ABT-12

Battery Kit - 12 VDC, 12 AH battery (PS-12120)

## Specifications

### Primary Power (DC or AC)

\* The LNL-500B is for use in low voltage, power limited, class 2 circuits only.

DC input:

12 VDC  $\pm$  15%. 250 mA

AC input:

12 VAC  $\pm$  15%. 400 mA RMS

### Memory and Clock backup

3 V lithium, type BR2325

### Environmental

Temperature

Operating: 0° to +70° C (32° to 158° F)

Storage: -55° to +85° C (-67° to 185° F)

Humidity

0 to 95% RHNC

### Mechanical

Dimensions

6 x 5 x 1 in. (152 x 127 x 25 mm)

Weight

8 oz. (230 g) nominal

### Approvals

CE Marked, UL 294 and 1076 listed

### Supported Readers

Ingersoll Rand - HandKey, HandKey II, HandKey CR and ID3D readers (Firmware version 1.21 or later required)

Identix V20 Readers (Firmware version 2.12 or later required)

Bioscrypt V-FLEX and V-STATION (Firmware version 7.30 or later required)

Lenel BioGuard Readers (LNL-BIO007-xxx)