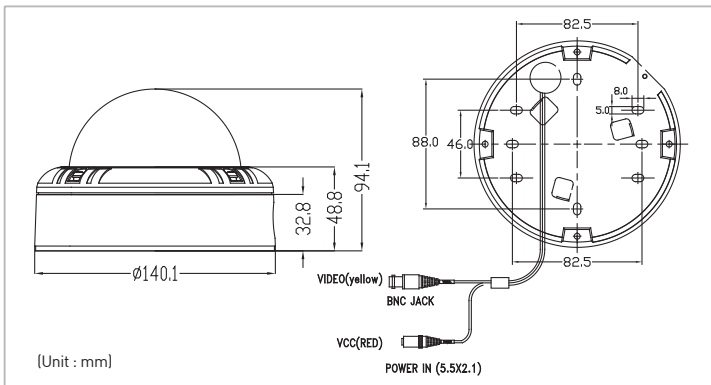


KD-CV90, 55 Series (Vandal Dome Camera) | DOME CAMERAS



Outward Appearance



Features

- 3-AXIS DOME
- High resolution picture quality through digital signal processor
- True Day & Night function
- Second video output
- DC Varifocal lens
- Protection against rain and wind (IP66)
- Wide voltage input operation
- Easy installation & operation

Lens Options

- FIXED BOARD LENS: 3.6 MM
- VARIFOCAL LENS: 4-9MM, 3.3-12MM

Specifications

General Spec		KD-CV90T	KD-CV55T	KD-CV90TP	KD-CV55TP
Sensor		1/3" Interlaced color CCD	1/3" Interlaced color CCD	1/3" Interlaced color CCD	1/3" Interlaced color CCD
H.Resolution		550	480	550	480
Scanning system	NTSC	525 Lines interlaced	525 Lines interlaced	525 Lines interlaced	525 Lines interlaced
	PAL	625 Lines interlaced	625 Lines interlaced	625 Lines interlaced	625 Lines interlaced
Video output		Composite (1.0Vp-p), 75Ω	Composite (1.0Vp-p), 75Ω	Composite (1.0Vp-p), 75Ω	Composite (1.0Vp-p), 75Ω
Synchronization		Internal	Internal	Internal / Line Lock	Internal
Electronics iris	NTSC	1/60 ~ 1/100,000	1/60 ~ 1/100,000	1/60 ~ 1/100,000	1/60 ~ 1/100,000
	PAL	1/50 ~ 1/100,000	1/50 ~ 1/100,000	1/50 ~ 1/100,000	1/50 ~ 1/100,000
Light sensitivity		(B/W)0.04Lux with F1.2 30IRE	(B/W)0.04Lux with F1.2 30IRE	(B/W)0.04Lux with F1.2 30IRE	(B/W)0.04Lux with F1.2 30IRE
Gamma		0.45	0.45	0.45	0.45
S/N Ratio		48dB	46dB	48dB	46dB
Input voltage		DC8.0-18[V]	DC8.0-18[V]	DC10-20[V], AC20-28[V]	DC10-20[V], AC20-28[V]
Power consumption		MAX 1.6[W]	MAX 1.1[W]	MAX 2.2[W]	MAX 1.5[W]
Operating temperature		-10°C ~ +55°C	-10°C ~ +55°C	-10°C ~ +55°C	-10°C ~ +55°C
Storage temperature		-20°C ~ +70°C	-20°C ~ +70°C	-20°C ~ +70°C	-20°C ~ +70°C
Operating Humidity		90% RH (non-condensing)	90% RH (non-condensing)	90% RH (non-condensing)	90% RH (non-condensing)
Connection	Video	BNC Cable	BNC Cable	BNC Cable	BNC Cable
	Power	DC JACK	DC JACK	Wire Type	Wire Type
Dimension		140.1(Ø) X 94.1mm	140.1(Ø) X 94.1mm	140.1(Ø) X 94.1mm	140.1(Ø) X 94.1mm
Weight		245g	245g	245g	245g
Certification		CE/FCC	CE/FCC	CE/FCC	CE/FCC