

KD-CR63 (Color Micro Dome Camera) | DOME CAMERAS

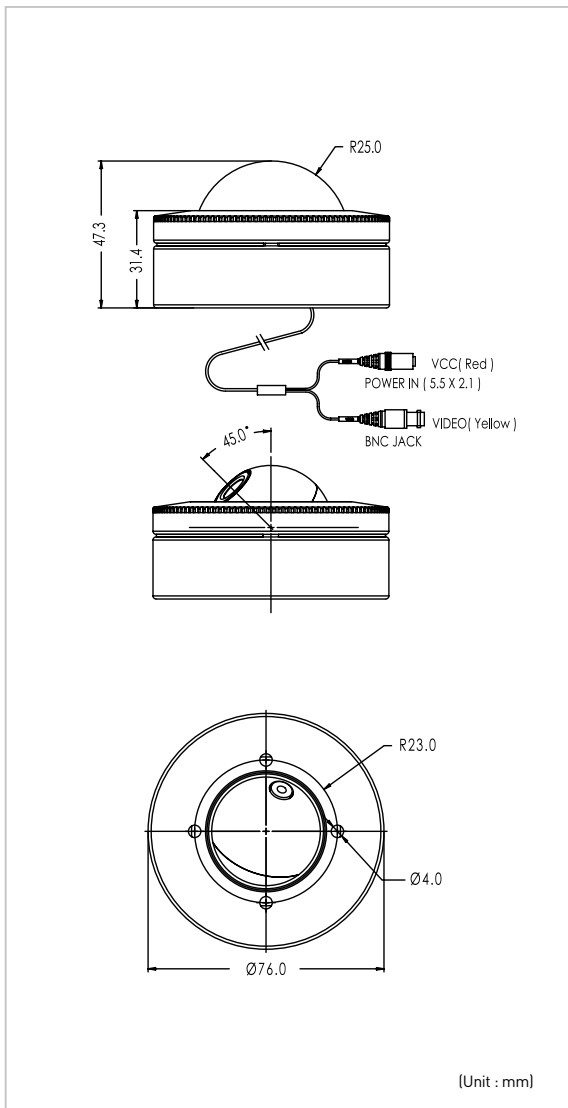
RECORDERS

CAMERAS

ACCESSORIES



■ Outward Appearance



■ Features

- 1/3" 270K Pixels color SONY CCD applied to ensure high image quality of Horizontal Resolution of over 330TV
- Mini Dome Camera with Refined Design
- S/N Ratio 45dB and over
- Wide range of input voltage (8~18V)
- Equipped with Automatic white balancing (AWB)
- Equipped with Electronic light control (ELC)
- Lens Mount : 2.5mm (Optional : 3.6/4.3/6.0mm)
- Easy installation by camera ceiling bracket

■ Specifications

General Spec	KD-CR63	
	NTSC	PAL
CCD Type	1/3" Interline CCD 270K Pixels color	
Total No. Pixels	811(H) × 508(V)	795(H) × 596(V)
Scanning System	525Lines	625Lines
Horizontal Resolution	330 TV Lines	
Sensitivity to Light	0.4 Lux with F1.2 Lens	
Gamma Correction	0.45	
Shutter Speed	1/60~1/100,000	1/50~1/100,000
Synchronization	Internal	
S/N Ratio	0.45dB Over	
Video Output	1.0Vp~p/75 Ohm Composite	
Lens Mount	2.5mm(3.6/4.3/6.0mm)	
Video Output	Video Output	BNC
	Power	DC Jack
Operating Temperature	-10°C ~ +55°C (Air Humidity Max 85%)	
Voltage	12V/DC	
Power Consumption	Max 0.70(W)	
Dimension	76.0(Ø) × 47.3(H)mm	
Weight	313g	