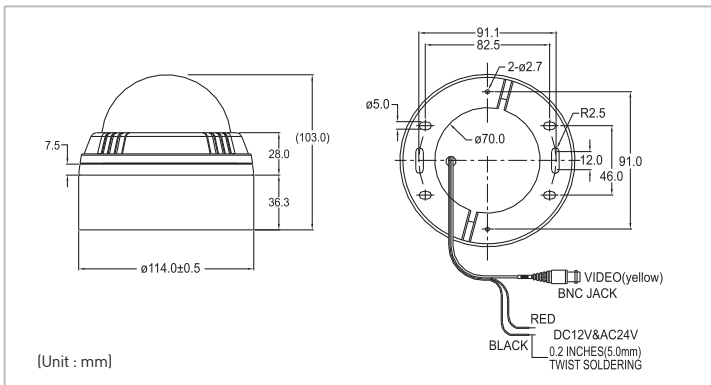


# KD-CB90, 55 Series (Color Dome Camera) | DOME CAMERAS



## ■ Outward Appearance



(Unit : mm)

## ■ Features

- High resolution picture quality through digital signal processor
- Second video output
- DC Varifocal lens
- Wide voltage input operation
- Easy installation & operation

## ■ Lens Options

- FIXED BOARD LENS: 3.6 MM,
- VARIFOCAL LENS: 4-9MM, 3.3-12MM

## ■ Specifications

General Spec		KD-CB90S	KD-CB55S	KD-CB90SP	KD-CB55SP
Sensor		1/3" Interlaced color CCD	1/3" Interlaced color CCD	1/3" Interlaced color CCD	1/3" Interlaced color CCD
H.Resolution		550	480	550	480
Scanning system	NTSC	525 Lines interlaced	525 Lines interlaced	525 Lines interlaced	525 Lines interlaced
	PAL	625 Lines interlaced	625 Lines interlaced	625 Lines interlaced	625 Lines interlaced
Video output		Composite (1.0Vp-p), 75Ω	Composite (1.0Vp-p), 75Ω	Composite (1.0Vp-p), 75Ω	Composite (1.0Vp-p), 75Ω
Synchronization		Internal	Internal	Internal / Line Lock	Internal
Electronics iris	NTSC	1/60 ~ 1/100,000	1/60 ~ 1/100,000	1/60 ~ 1/100,000	1/60 ~ 1/100,000
	PAL	1/50 ~ 1/100,000	1/50 ~ 1/100,000	1/50 ~ 1/100,000	1/50 ~ 1/100,000
Light sensitivity		0.2Lux, With F1.2 30IRE	0.2Lux, With F1.2 30IRE	0.2Lux, With F1.2 30IRE	0.2Lux, With F1.2 30IRE
Gamma		0.45	0.45	0.45	0.45
S/N Ratio		48dB	46dB	48dB	46dB
Input voltage		DC8.0-18[V]	DC8.0-18[V]	DC10-20[V], AC20-28[V]	DC10-20[V], AC20-28[V]
Power consumption		MAX 1.6[W]	MAX 1.1[W]	MAX 2.2[W]	MAX 1.5[W]
Operating temperature		-10°C ~ +55°C	-10°C ~ +55°C	-10°C ~ +55°C	-10°C ~ +55°C
Storage temperature		-20°C ~ +70°C	-20°C ~ +70°C	-20°C ~ +70°C	-20°C ~ +70°C
Operating Humidity		90% RH (non-condensing)	90% RH (non-condensing)	90% RH (non-condensing)	90% RH (non-condensing)
Connection	Video	BNC Cable	BNC Cable	BNC Cable	BNC Cable
	Power	DC JACK	DC JACK	Wire Type	Wire Type
Dimension		114.0(Ø) X 103mm	114.0(Ø) X 103mm	114.0(Ø) X 103mm	114.0(Ø) X 103mm
Weight		245g	245g	245g	245g
Certification		CE/FCC	CE/FCC	CE/FCC	CE/FCC