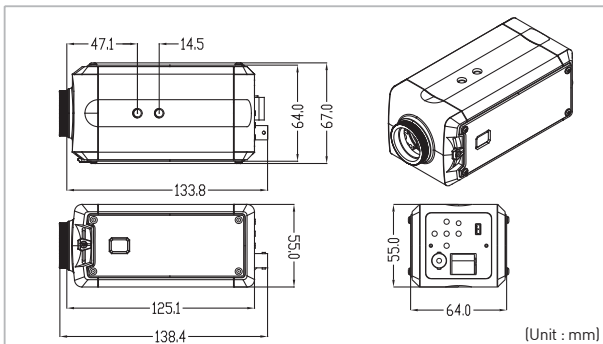


# KB-F99, 59 Series (Color Digital Box Camera) | BOX CAMERAS

C  
A  
M  
E  
R  
A  
S



## ■ Outward Appearance



## ■ Features

- Digital box camera with innovation design
- High resolution picture quality through digital signal processor
- Focus control function
- Wide voltage input operation
- Easy installation & operation
- Built-in flickerless function
- Various White Balance mode
- C/CS mount lens adaptable (manual, video and auto iris lenses)

## ■ Specifications

General Spec		KB-F9912	KB-F5912	KB-F9924	KB-F5924
Sensor		1/3" Interlaced color CCD	1/3" Interlaced color CCD	1/3" Interlaced color CCD	1/3" Interlaced color CCD
H.Resolution		550	480	550	480
Scanning system	NTSC	525 Lines interlaced	525 Lines interlaced	525 Lines interlaced	525 Lines interlaced
	PAL	625 Lines interlaced	625 Lines interlaced	625 Lines interlaced	625 Lines interlaced
Video output		Composite (1.0Vp-p), 75Ω	Composite (1.0Vp-p), 75Ω	Composite (1.0Vp-p), 75Ω	Composite (1.0Vp-p), 75Ω
Synchronization		Internal	Internal	Internal / Line Lock	Internal
Electronics iris	NTSC	1/60 ~ 1/100,000	1/60 ~ 1/100,000	1/60 ~ 1/100,000	1/60 ~ 1/100,000
	PAL	1/50 ~ 1/100,000	1/50 ~ 1/100,000	1/50 ~ 1/100,000	1/50 ~ 1/100,000
Light sensitivity		0.2Lux, With F1.2 30IRE	0.2Lux, With F1.2 30IRE	0.2Lux, With F1.2 30IRE	0.2Lux, With F1.2 30IRE
Gamma		0.45	0.45	0.45	0.45
S/N Ratio		48dB	46dB	48dB	46dB
Input voltage		DC8.0-18[V]	DC8.0-18[V]	DC10-20[V], AC20-28[V]	DC10-20[V], AC20-28[V]
Power consumption		MAX 1.6[W]	MAX 1.1[W]	MAX 2.2[W]	MAX 1.5[W]
Operating temperature		-10°C ~ +55°C	-10°C ~ +55°C	-10°C ~ +55°C	-10°C ~ +55°C
Storage temperature		-20°C ~ +70°C	-20°C ~ +70°C	-20°C ~ +70°C	-20°C ~ +70°C
Operating Humidity		90% RH (non-condensing)	90% RH (non-condensing)	90% RH (non-condensing)	90% RH (non-condensing)
Connection	Video	BNC Cable	BNC Cable	BNC Cable	BNC Cable
	Power	Terminal block	Terminal block	Terminal block	Terminal block
Dimension		64(W) X 55(H) X 125.1(D)	64(W) X 55(H) X 125.1(D)	64(W) X 55(H) X 125.1(D)	64(W) X 55(H) X 125.1(D)
Weight		470g	470g	470g	470g
Certification		CE/FCC	CE/FCC	CE/FCC	CE/FCC

A  
C  
C  
E  
S  
S  
O  
R  
I  
E  
S