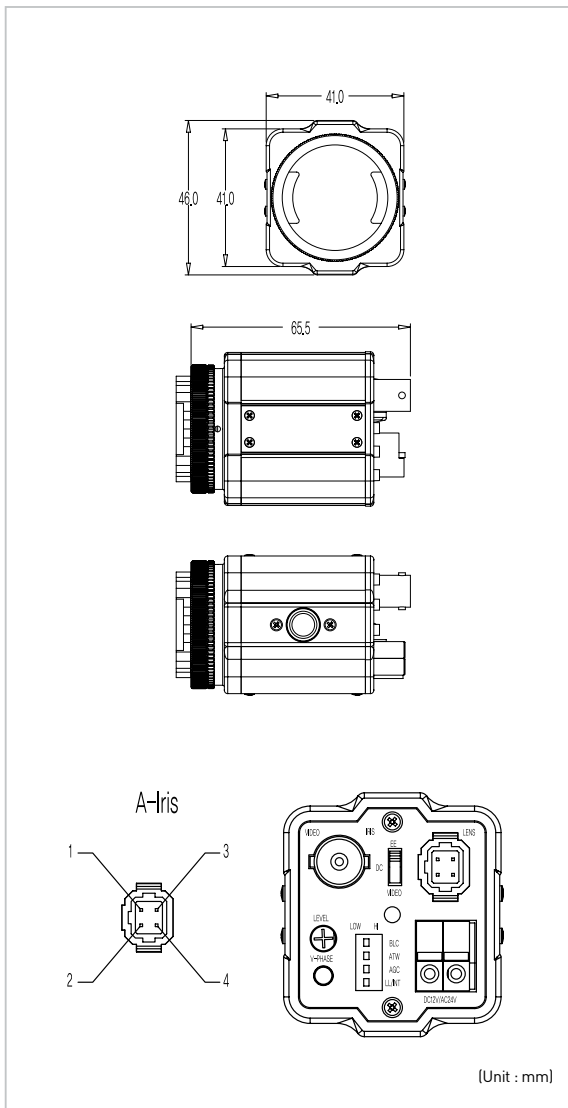


KB-9024 (Digital TDN Box Camera) | BOX CAMERAS



■ Outward Appearance



■ Features

- 1/3" 410K Pixels Interline Double Scan color SONY CCD applied to ensure high image quality of Horizontal Resolution of over 550TV
- Smart designed Digital Box Camera
- S/N Ratio 48dB and over
- Compatible with all lens (manual, video and auto iris lenses)
- OSD Function
- Flickerless Function at 50 – 60Hz
- Equipped with Electronic light control (ELC)
- Supports RS-232 RS-485 Serial Communication

■ Specifications

General Spec	KB-9024	
	NTSC	PAL
CCD Type	1/3" 410K Interline Double Scan CCD	
Total No. Pixels	795(H) × 494(V)	752(H) × 582(V)
Horizontal Resolution	550 TV Lines	
Sensitivity to Light	0.7 Lux[Color], 0.1Lux[B/W] with F1.2 Lens	
Gamma Correction	0.48	
Shutter Speed	1/60~1/100,000	1/50~1/100,000
Synchronization	Internal/External	
S/N Ratio	0.48dB over	
White balance	Auto	
Video Output	1.0Vp~p/75 Ohm Composite	
Lens Mount	C/CS-MOUNT	
Video Output	Video Output	BNC
	Power	Terminal
Operating Temperature	-10°C ~ +55°C (Air Humidity Max 85%)	
Voltage	12V/DC	
Power Consumption	DC12V, AC24V	
Dimension	41(W) × 46(H) × 66.5(D)	
Weight	127g(Without Lens)	