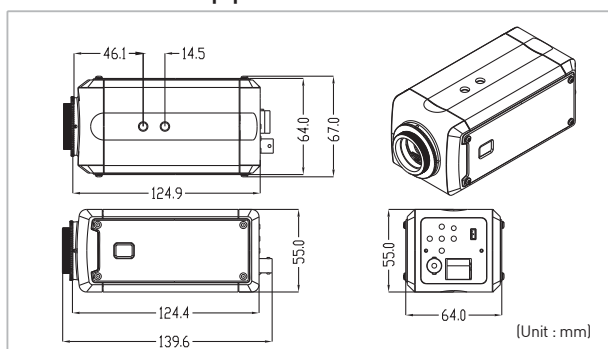


KB-80, 100 Series(TDN & WDR Box Camera) | BOX CAMERAS



■ Outward Appearance



■ Features

- Digital box camera with innovation design
- High resolution picture quality through digital signal processor
- Superior Wide Dynamic Range
- True Day & Night function
- OSD Control (KB-10012L/KB-10024L Series)
- Wide voltage input operation
- Easy installation & operation
- C/CS mount lens adaptable (manual, video and suto iris lenses)

■ Specifications

General Spec	KB-8012W	KB-10012W	KB-8024LW	KB-10024LW
Sensor	1/3" Interlaced color CCD (Double speed CCD)	1/3" CMOS (Wide Dynamic Range sensor)	1/3" Interlaced color CCD (Double speed CCD)	1/3" CMOS (Wide Dynamic Range sensor)
H.Resolution	480	480	480	480
Scanning system	NTSC	525 Lines interlaced	525 Lines interlaced	525 Lines interlaced
	PAL	625 Lines interlaced	625 Lines interlaced	625 Lines interlaced
Video output	Composite (1.0Vp-p), 75Ω			
Synchronization	Internal			
Electronics iris	NTSC	1/60 ~ 1/100,000	1/60 ~ 1/100,000	1/60 ~ 1/100,000
	PAL	1/50 ~ 1/100,000	1/50 ~ 1/100,000	1/50 ~ 1/100,000
Light sensitivity	(B/W)0.04Lux with F1.2 30IRE	0.08Lux (DSS on) with F1.2 50IRE	(B/W)0.04Lux with F1.2 30IRE	0.08Lux (DSS on) with F1.2 50IRE
Gamma	0.45	0.45	0.45	0.45
S/N Ratio	46dB	48dB	46dB	48dB
Input voltage	DC8.0-18[V]	DC8.0-18[V]	DC10-20[V], AC20-28[V]	DC10-20[V], AC20-28[V]
OSD Control	N/A	OSD Control	N/A	OSD Control
Power consumption	MAX 2.4[W]	MAX 2.1[W]	MAX 3.5[W]	MAX 2.9[W]
Operating temperature	-10°C ~ +55°C	-10°C ~ +55°C	-10°C ~ +55°C	-10°C ~ +55°C
Storage temperature	-20°C ~ +70°C	-20°C ~ +70°C	-20°C ~ +70°C	-20°C ~ +70°C
Operating Humidity	90% RH (non-condensing)			
Connection	Video	BNC Cable	BNC Cable	BNC Cable
	Power	Terminal block	Terminal block	Terminal block
Dimension	64(W) X 55(H) X 124.4(D)			
Weight	470g			
Certification	CE/FCC			