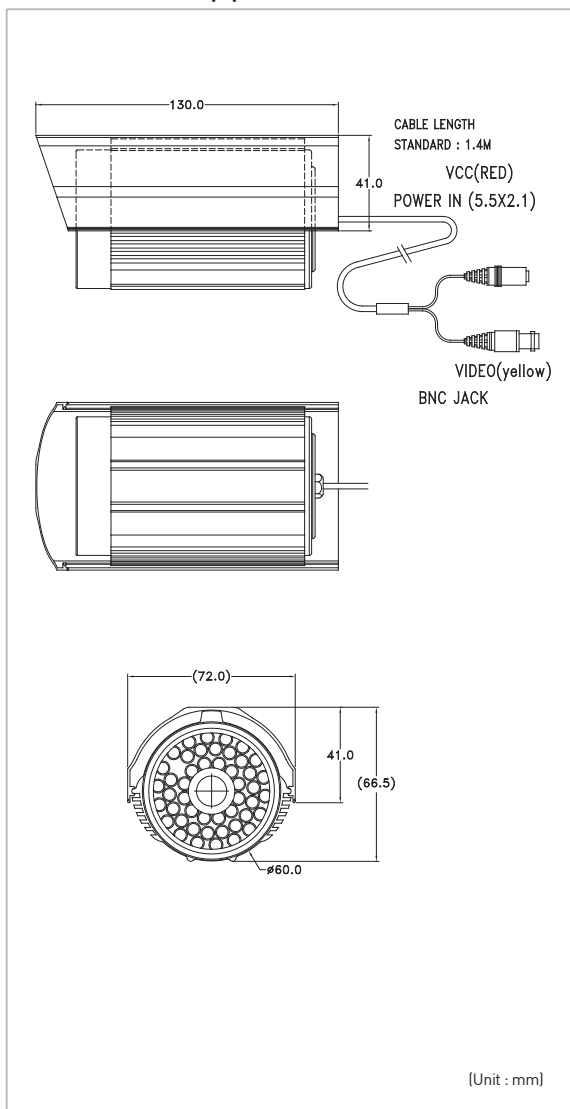


# KB-6036 Series (Color IR Camera) | COLOR IR CAMERAS



## ■ Outward Appearance



## ■ Features

- IR Lamp Synchronizing (CDS sensor)
- High resolution picture quality through digital signal processor
- Wide voltage input operation
- Easy installation & operation
- Out door body
- True Day & Night function (KB-6036IRT)

## ■ Lens Options

- FIXED BOARD LENS: 6 MM

## ■ Specifications

General Spec	KB-6036IR		KB-6036IRH		KB-6036IRT		
	NTSC	PAL	NTSC	PAL	NTSC	PAL	
Sensor	1/3" Interlaced color CCD		1/3" Interlaced color CCD		1/3" Interlaced color CCD		
H,Resolution	350		480		480		
Scanning system	525 Lines	625 Lines	525 Lines	625 Lines	525 Lines	625 Lines	
Video output	Composite (1.0Vp-p), 75Ω		Composite (1.0Vp-p), 75Ω		Composite (1.0Vp-p), 75Ω		
Synchronization	Internal		Internal		Internal		
Electronics iris	1/60 ~ 1/100,000	1/50 ~ 1/100,000	1/60 ~ 1/100,000	1/50 ~ 1/100,000	1/60 ~ 1/100,000	1/50 ~ 1/100,000	
Light sensitivity	0Lux (LED ON)		0Lux (LED ON)		0Lux (LED ON)		
Gamma	0.45		0.45		0.45		
S/N Ratio	46dB		46dB		46dB		
Input voltage	DC8.0-18[V]		DC8.0-18[V]		DC8.0-18[V]		
Power consumption	MAX 6.0[W]		MAX 6.0[W]		MAX 6.0[W]		
Operating temperature	-10°C ~ +55°C		-10°C ~ +55°C		-10°C ~ +55°C		
Storage temperature	-20°C ~ +70°C		-20°C ~ +70°C		-20°C ~ +70°C		
Operating Humidity	90% RH (non-condensing)		90% RH (non-condensing)		90% RH (non-condensing)		
Connection	Video	BNC Cable		BNC Cable		BNC Cable	
	Power	DC JACK		DC JACK		DC JACK	
Dimension	130.0(Ø) X 72.0mm		130.0(Ø) X 72.0mm		130.0(Ø) X 72.0mm		
Weight	845g		845g		845g		
Certification	CE/FCC		CE/FCC		CE/FCC		