

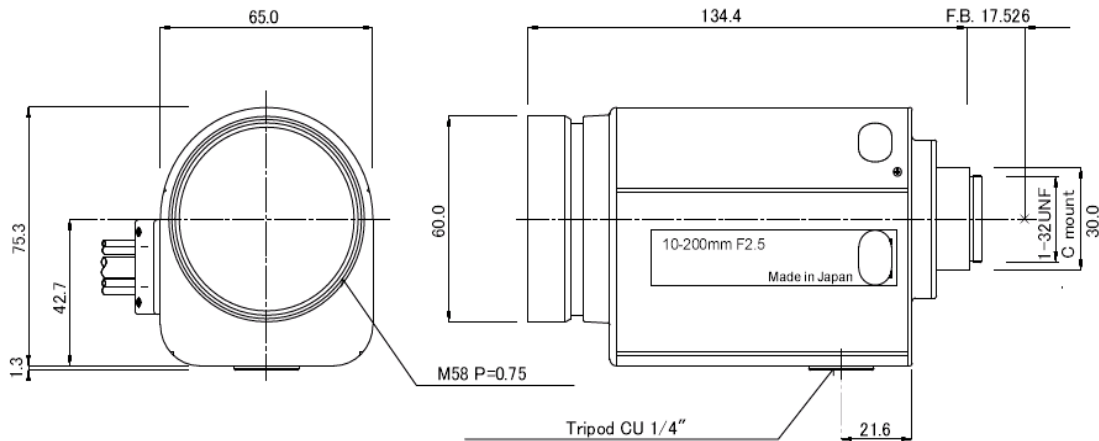
Kawaden CCTV LENS

KZ20X1025 Series

10-200mm F2.5-360
Compact 20X Motorised Zoom Lens

*The smallest 10-200mm
Motorised Zoom Lens
in the market*

- KZ20X1025D (DC Iris)
- KZ20X1025DP (DC Iris, Preset)
- KZ20X1025M (Motor Iris)
- KZ20X1025MP (Motor Iris, Preset)
- KZ20X1025V (Video Iris)
- KZ20X1025VP (Video Iris, Preset)



Optical & Mechanical Specifications

Focal Length	10-200mm	
Aperture Ratio	F2.5-360	
Image Format	1/2 inch	
Angle of View (1/2")	D	Wide 43.6° - Tele 2.3°
	H	35.5° - 1.8°
	V	27.0° - 1.4°
Angle of View (1/3")	D	Wide 33.4° - Tele 1.7°
	H	27.0° - 1.4°
	V	20.7° - 1.0°
M.O.D.	2.5m	
Mount	C mount	
Dimensions	65.0(W) x 75.3(H) x 134.9(L) mm	
Weight	600g (V), 620g (VP)	

Electrical Specifications

Video Auto Iris (Model KZ20X1025V/VP)	
Input Voltage	DC8-16V, Max. 50mA
Input Signal	Video Signal (V or VS)
Sensitivity	0.5 - 1.0Vp-p
Response Speed	3.0 seconds or less
Zoom	
Input Voltage	DC6 - 12V, Max. 40mA (6V)
Response Speed	Approx. 11 seconds. W-T (6V)
Focus	
Input Voltage	DC6 - 12V, Max. 50mA (6V)
Response Speed	Approx. 12 seconds. N-F (6V)

Specifications are subject to change without notice