

JVC®

The Perfect Experience / —

◆ **0.48 Super LoLux™**
lx (in B&W Mode)

◆ **0.7 Super LoLux™**
lx (in Colour Mode)

1/3" CCD COLOUR VIDEO CAMERAS

TK-C920E(A)

(AC 24 V/DC 12 V)

TK-C921EG(A)

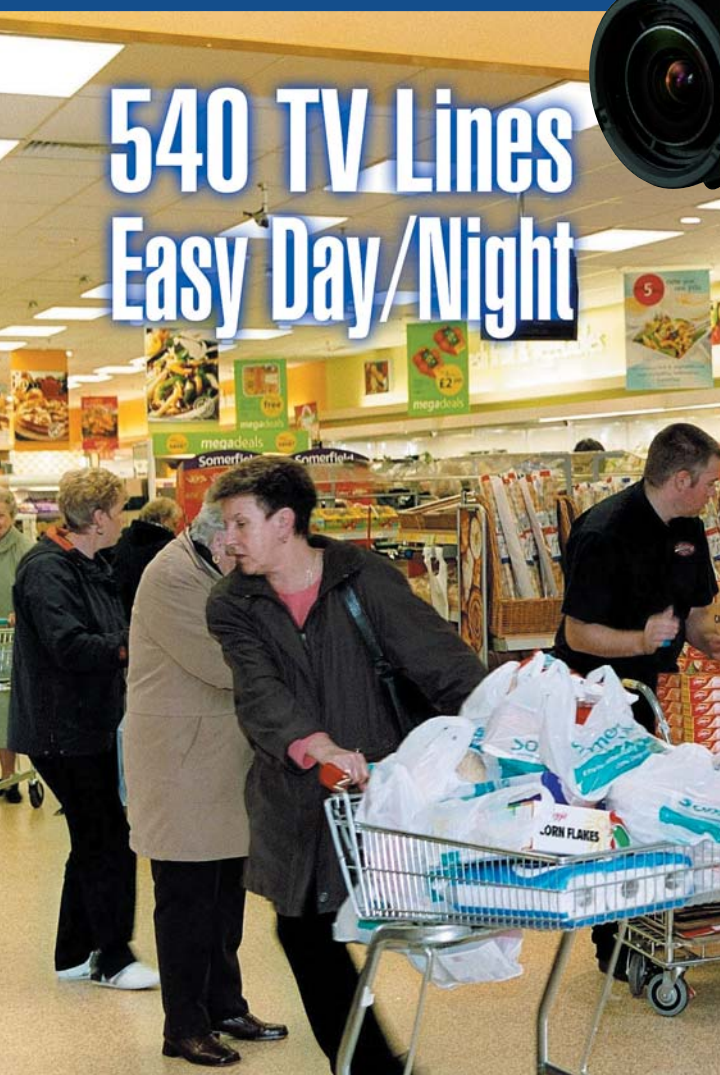
(AC 220 V to 240 V)

Revolutionary Cameras with 540 TVL and Easy Day/Night Function



Shown with optional lens.

540 TV Lines Easy Day/Night



Conventional Camera

- 1/3" High Resolution IT CCD with 440,000 Effective Pixels
- 540 TV Lines of Horizontal Resolution
- Easy Day/Night Function: Chroma ON/OFF
- Super LoLux™ Sensitivity: 0.7 lx F1.2 in Colour Mode, 0.48 lx F1.2 in B&W Mode
- Signal-to-Noise Ratio: 50dB (AGC OFF)
- Revolutionary Integrated 10-bit Digital Signal Processor (DSP)
- Full-Featured Security Camera
 - Automatic Electronic Shutter (AES) Mode ON/OFF
 - Automatic Gain Control (AGC) ON/OFF
 - Automatic Tracking White Balance (ATW) and Manual Modes
 - Backlight Compensation ON/OFF
 - Sync Systems INT/Line Lock
 - Supports Video/DC Iris Lenses
 - C/CS Lens Compatible
 - Ultra Compact Camera Body
 - AC 24 V/DC 12 V Power Supply [TK-C920E(A)]
 - AC 220 V to AC 240 V Power Supply [TK-C921EG(A)]

JVC's revolutionary 540 TVL CCD, Easy Day/Night Function and leading edge DSP combine to meet future market needs.

JVC not only satisfies customers' current demands but also anticipates their future requirements by incorporating advanced camera technologies inside the TK-C920E(A) and TK-C921EG(A) high resolution, colour surveillance cameras.

The cameras perform brilliantly in all the key areas. 540 TVL resolution is delivered by the 1/3" Interline Transfer CCD. The quality of key image parameters are continually optimised by the intelligent Digital Signal Processor. At 0.48 lx in B&W mode, the Easy Day/Night Function allows the camera to achieve high performance even in low light situations.

Easy Day/Night Function

The TK-C920E(A) and TK-C921EG(A) automatically use colour mode when the subject is bright, and B&W mode when it is dark. In B&W mode, AGC is always active to achieve high performance even in low light situations.

Built-in Revolutionary Digital Signal Processor (DSP)

JVC's innovative Digital Signal Processor automatically adjusts camera parameters to ensure that sharp and natural pictures of 540 TV lines horizontal resolution combine with high-quality performance.

1/3" High Resolution IT CCD with 440,000 Effective Pixels

JVC's TK-C920E(A) and TK-C921EG(A) come with a 1/3" Interline Transfer CCD for accurate colour reproduction and signal-to-noise ratio of 50 dB.

Detail Corrections — Horizontal and Vertical (2H)

The TK-C920E(A) and TK-C921EG(A) provide dual-edged detail correction — horizontal and vertical with 2H line memory.

Super LoLux™ and Automatic Gain Control (AGC)

As the ambient light level falls the AGC seamlessly increases the camera's sensitivity. With Super LoLux™ turned on the AGC will further increase the camera's sensitivity to 0.7 lx at F1.2.

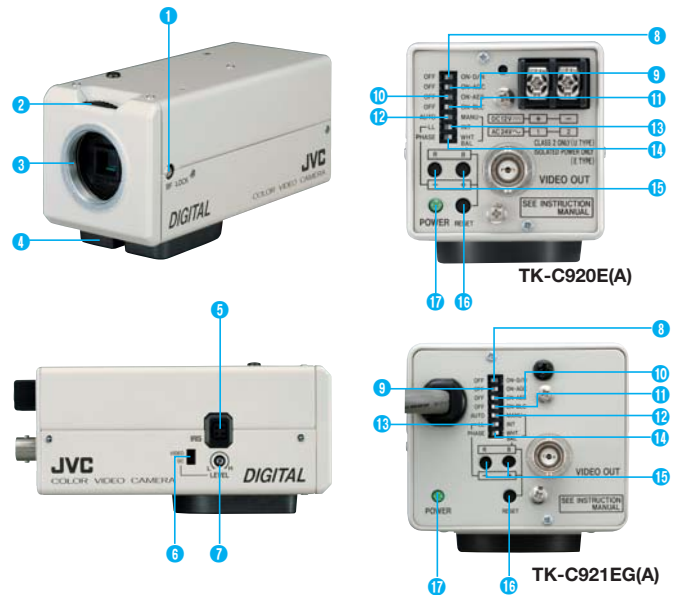
Manual or Automatic (ATW) White Balance

For flexibility of operation in a wide range of environments the white balance can be set manually or can be automatically adjusted in real time by the Automatic Tracking White Balance function over a range of 2,300K to 10,000K.

Specifications

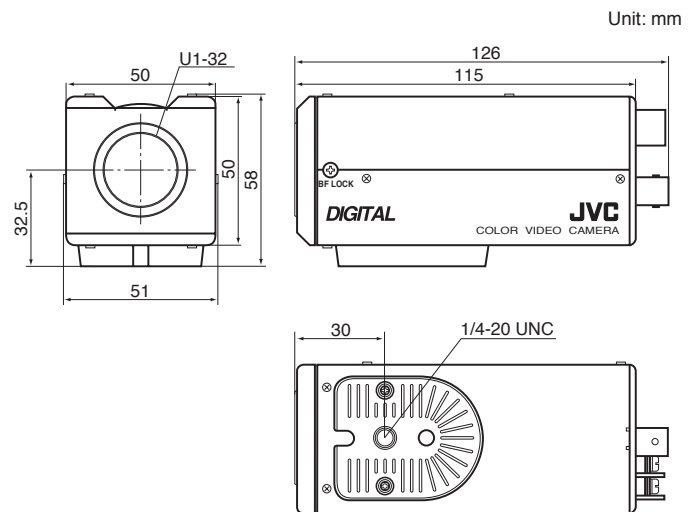
Signal system	PAL
Image device	1/3" Interline-Transfer CCD (with complementary colour filter)
Number of effective pixels	440,000 (752 H x 582 V)
Video processing	Built-in DSP (10-bit)
Pickup area	4.8 mm (H) x 3.6 mm (V)
Sync system	Internal, Line Lock (50 Hz regions only)
Scanning system	2:1 interlaced, 625 lines
Scanning frequency	15.625 kHz (H); 50 Hz (V)
Video output	Composite video signal: 1.0 V(p-p), 75 ohms
Video S/N	50 dB (AGC OFF)
Horizontal resolution (typical)	540 TV lines
Minimum illumination (typical)	Colour mode: 0.7 lx (F1.2, AGC ON, video level 25%) 1.5 lx (F1.2, AGC ON, video level 50%) B&W mode: 0.48 lx (F1.2, AGC ON, video level 25%) 1.0 lx (F1.2, AGC ON, video level 50%)
Iris control	Video iris/DC iris
White balance	ATW/Manual
BLC	ON/OFF
AES	ON/OFF (1/50 to 1/100,000 sec.)
Lens mount	C/CS
Power supply	TK-C920E(A): AC 24V (50Hz/60Hz), DC 12 V TK-C921EG(A): AC 220 V to 240 V (50 Hz/60 Hz)
Power consumption	TK-C920E(A): 380 mA TK-C921EG(A): 57 mA
Operating temperature range	-10°C to 50°C 0°C to 40°C (recommended)
Weight	TK-C920E(A): 370 g TK-C921EG(A): 713 g

Controls, connectors and indicators



- 1 BACK FOCUS locking screw
- 2 BACK FOCUS adjustment and C/CS mount selector ring
- 3 Lens mount (C/CS)
- 4 Camera mounting bracket
- 5 IRIS connector
- 6 VIDEO/DC IRIS select switch
- 7 Iris level adjust
- 8 D/N (Easy Day/Night) ON/OFF
- 9 AGC (Automatic Gain Control) ON/OFF
- 10 AES (Automatic Electronic Shutter) ON/OFF
- 11 BLC (Backlight Compensation) ON/OFF
- 12 WHITE BALANCE select switch
- 13 LL/INT select switch
- 14 PHASE/W.B. select switch
- 15 PHASE/W.B. adjustment button
- 16 RESET button
- 17 Power indication

Dimensions



Design and specifications subject to change without notice.

JVC®

DISTRIBUTED BY



■ The Hachioji Plant of Victor Company of Japan, Ltd., has received ISO14001 and ISO9001 Certifications under the global standard for environmental management.