

# JVC

PROFESSIONAL

DOME COLOUR CAMERA

# TK-C676E (AC 24 V)

1/4-inch CCD Day & Night Dome Camera

**0.5 Super LoLux™**  
**0.1 lux**



- Super LoLux 0.5 lux (Colour, AGC ON, 2X Sense Up, Video 25%)
- High-Resolution 480 TV Lines with 1/4-inch IT CCD
- Extended Dynamic Range
- IR Switching Capability
- 27X Zoom Lens, 3.8 mm to 103 mm
- Variable Pan/Tilt Speed
- Auto Patrol Mode

- Auto Trace/Auto Pan/Area Title
- 180° Auto Flip/Digital Flip
- 100 Pre-Set Positions
- 360° Endless Panning
- Meets IP52 Water-Resistance Standard
- Easy and One-Push AF
- Private Mask/Motion Detection/Auto Black/Built-in Menu
- Alarm Terminal (4 Inputs and 3 Outputs)



# Manned or Fully Programmable Auto 24-Hour Oper



JVC's TK-C676E is engineered for a wide range of surveillance applications. Designed for twenty-four hour operation, the 360° endless panning camera features a professional quality 1/4-inch, Super LoLux CCD, which can capture crisp, colour pictures at just 0.5 lux. An infrared (IR) switching function also means the TK-C676E can operate in the dark with IR illumination. Under manned operation, the Easy Auto Focus function and 27X zoom lens, with variable pan and tilt speeds, take the operator quickly to the action. In auto mode, users can take full advantage of the TK-C676E's Auto Patrol, Area Title, and Motion Detection functions for single camera use or as part of a 32-camera system under RS-485 control. Built for long-life and total reliability, the TK-C676E is an exceptionally cost-efficient surveillance solution for demanding users.



27X Zoom



0.5 lux

IR

Slow Shutter

IR switching capability

# Exposure Down to 0.5 lux, Plus IR Capability with 27X Zoom

## ■ 1/4-inch High-Resolution IT CCD

The TK-C676E mounts a high-resolution 1/4-inch interline transfer CCD, which delivers 752(H) and 582(V) pixels to capture sharp, clear pictures.

## ■ Extended Dynamic Range

A DSP with a wide dynamic range is a JVC innovation that shoots bright areas of a scene with a high-speed shutter exposure, while shooting dark areas with a normal exposure. The images are read and synthesised to create a single image that accurately reproduces the scene with light and dark areas perfectly exposed.

## ■ IR Switching Capability

Twenty-four hour application is enhanced by switching to infrared (IR) shooting. The camera captures images of objects illuminated in IR with wavelengths from 850 nm to 880 nm.

## ■ Super LoLux 0.5 lux

Super LoLux lets you shoot high-quality pictures in ambient light as low as 0.5 lux, making the TK-C676E more sensitive than the naked eye.

## ■ Large Aperture 27X Zoom Lens

The TK-C676E features a professional quality lens (F1.4 to F3.0) with a 27X zoom (3.8 mm to 103 mm/digital zoom 10X/Up to 2X at Digital Flip, Preset and Auto Trace) to capture the smallest detail.

## ■ Variable Pan/Tilt Speed

Both pan and tilt speeds (0.5°/s to 80°/s and 1°/s to 60°/s, respectively) can be varied over a wide range to match site conditions and applications.

## ■ Auto Patrol Mode

With three Auto Patrol Mode settings and 100 pre-set positions, the versatile TK-C676E delivers surveillance coverage of a wide area by programmed panning.

## ■ Auto Trace

The Auto Trace function lets the operator replay a series of manual camera operations performed over a period of 30 seconds. (After one time activation, it has 30-sec. pause time.)

## ■ Area Title

The Area Title function divides the entire space covered by the camera into 16 areas, with a 16-character ID identifying each area. So, a touch of a button is all that is needed to quickly home in on a target area.

## ■ 180° Auto Flip/Digital Flip

With the function switched on, the camera automatically flips over 180° when it reaches its tilting limit, making it possible for the camera to continue tilting even after it has been tilted straight downward. Digital flip inverts pictures on both vertical and horizontal axes once the tilt reaches 135°, after the camera passes the position at which it is tilted straight downward.

## ■ 360° Endless Panning

The TK-C676E offers endless panning for 360° with no blind spots.

## ■ Private Mask

Using the Private Mask function, operators can mask selected areas within the space subject to surveillance, protecting them from

intrusive monitoring. (0° – 45° tilt range/When set at around 45°, the masked areas may be seen.)

## ■ Motion Detection

When activated, a motion-detection function outputs an alarm when a moving object is detected in the field of view. The Home Motion Detect function is a refinement that lets operators exclude particular areas from motion detection.

## ■ Meets IP52 Water-resistance Standard

With a simplified water-resistant design that meets the IP52 Water-resistance Standard, the indoor-use TK-C676E can be installed at many locations, including under eaves, which are not subjected to direct water splashes.

## Other Features

### ■ Built-in Menu

### ■ Accepts RS-422A/RS-485 Control Signals

### ■ Auto-Black On/Off

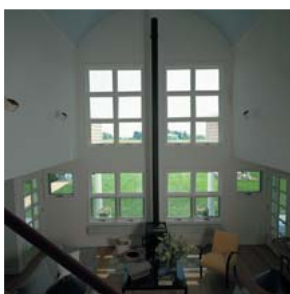
### ■ Easy Auto Focus and One-Push Auto Focus

### ■ Four Terminal Inputs/Three Terminal Outputs

Caution:

1. When capturing an image using an even value (0°), it is not possible to focus.
2. When using with the RM-P2580E, up to 64-preset positions can be set up by a single camera.

## Images of Extended Dynamic Rang



At high speed shutter

+



At normal speed shutter

=



ExDr mode

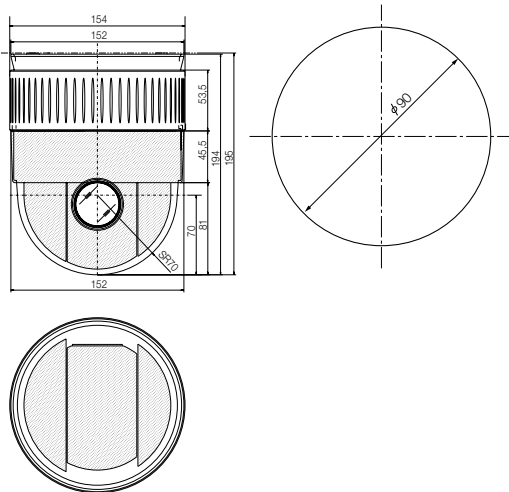
These images are sample images output in an extended dynamic range. So, actual images may vary according to various shooting conditions.

## Specifications

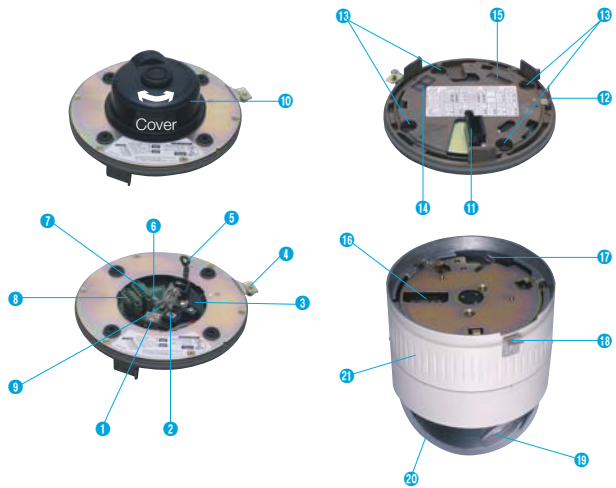
<b>■CAMERA</b>	
Signal system	PAL
Image device	1/4 type, interline transfer CCD, 752(H) x 582(V) pixels
Sync system	External sync, (line lock)
Scanning frequencies	Horizontal 15.625 kHz, Vertical 50 Hz
S/N	50 dB (typical), (AGC OFF, enhanced OFF)
Horizontal resolution	480 TV lines (typical)
Minimum illumination	
At colour	1.8 lux (F1.4, AGC 20dB, 50% video) 0.9 lux (F1.4, AGC 20dB, 25% video) 0.5 lux (F1.4, AGC 20dB, 25% video, 2X sense-up)
At B&W	0.05 lux (F1.4, AGC 20dB, 50% video) 0.025 lux (F1.4, AGC 20dB, 25% video)
Dynamic range	46 dB
White balance	TTL auto tracking/Manual
Electronic shutter	1/50 sec. (standard), 1/120 sec.
Back light compensation	Possible by selecting 4 photometry areas
Color level adjustment	Possible
Contour correction	Both Horizontal and Vertical (level adjustable)
<b>■LENS</b>	
Zoom ratio	Approx. 27X (Digital 10X)
Focal distance	3.8 mm to 103 mm
Maximum aperture	F1.4 to F3.0
<b>■MOVING MECHANISM</b>	
Panning range	360° endless revolution
Panning speed	1°/s to 300°/s
Tilting range	0° to 180° (Horizontal – Straight downward – Horizontal)
Tilting speed	1.5°/s to 180°/s
<b>■GENERAL</b>	
Power requirement	AC 24V, 1.3A
Applicable remote	RM-P2580E control unit
Operating temperature range	-10°C to +50°C (recommendation: 0°C to +40°C)
Weight	2.4 kg with ceiling mount

## Dimensions

Unit: mm

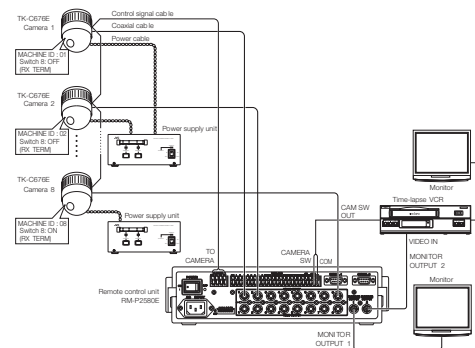


## Controls, Connectors and Indicators



- 1 [VIDEO OUT] Coaxial Cable Terminal
- 2 [AC 24V INPUT] Terminal
- 3 Cover Position Alignment Mark
- 4 Locking Screw
- 5 Safety Wire Hole
- 6 Alarm Input Terminals
- 7 [ALARM] Input/Output Terminals
- 8 [CONTROL] Terminals
- 9 Alarm Output Terminals
- 10 Cover
- 11 Camera Connector (Female)
- 12 Drop Prevention Hook
- 13 Clamping Holes (x 4)
- 14 [MACHINE ID] Switch
- 15 Setting Switches
- 16 Connector (Male)
- 17 Drop Prevention Wire
- 18 Camera Clamping Bracket
- 19 Lens
- 20 Dome Cover
- 21 Camera Body Cover

## Multi-Drop Communication System with RM-P2580E



## Options

### ■WB-S571U

Ceiling hanger pole



### ■WB-S572U

Wall mounting bracket



### ■WB-S575U

Ceiling embedding bracket



### ■WB-S573U

Ceiling direct mounting bracket



### ■RM-P2580E

Remote control unit with 64 preset positions (option)



Design and specifications subject to change without notice.

# JVC

VICTOR COMPANY OF JAPAN, LIMITED

DISTRIBUTED BY



■ The Hachioji Plant of Victor Company of Japan, Ltd., has received ISO14001 and ISO9001 Certifications under the global standard for environmental management.