

# JVC®

Vandal Proof  
1/3" CCD FIXED DOME CAMERA  
**TK-C2201WPE(EX)**



**SuperLoLux 2™**  
COLOUR IN VIRTUAL ZERO LUX



**When the light fails,  
our cameras won't.**



#### ■ High-Resolution of 600 TV Lines

High-performance 14bit processing DSP in its second generation enables industry-leading high quality pictures

#### ■ Super LoLux 2™ Sensitivity

0.05 lx at colour mode (50% video level, F1.2, AGC HIGH)  
0.006 lx at B&W mode (50% video level, F1.2, AGC HIGH)

#### ■ Industry-leading S/N Ratio of 52dB

#### ■ 3D Noise Reduction

Powerful system to reduce noise in dark environments

#### ■ Up to 128x of Slow Shutter

Increases visibility even in low light situations

#### ■ Area White Balance

New function that can apply Auto White Balance to a specific area

#### ■ Black Level Adjustment

Intelligent adjustment for dark areas to provide images without black out

#### ■ Fine Focus Adjustment Technology

Newly developed mechanism for finer and more accurate focus adjustment

#### ■ Outdoor-Ready Vandal and Tamper Proof Design (IP66 Compliant)

#### ■ Variety of Functions for Precise Monitoring

- Automatic Gain Control (AGC)
- 4 Area Patterns for Backlight Compensation (BLC)
- Manual and Auto Tracking White Balance
- 1.4x/2.0x Digital Zoom
- Privacy Mask for protecting intrusive monitoring
- Display Mode Selection for CRT and LCD
- CCD White Spot Compensation
- Focus Adjustment Mode for accurate focusing
- Triple Axis Rotation for flexible lens angle adjustment
- Optional heater unit for use in low temperature down to -30°C
- 24VAC/12VDC Dual Voltage

#### ■ Eco-Friendly Super Low Power Consumption

Approx. 40% lower than conventional models



# Day & Night Outdoor Monitoring with High-Resolution Images and Vandal-Proof Rugged Body

## Super LoLux 2™ "COLOUR IN VIRTUAL ZERO LUX"

This camera has been designed to assure precise colour reproduction in low light situations. It is possible to identify image colours in much darker places.



Normal camera

JVC Super LoLux™

## Fine Focus Adjustment Technology

For assisting focusing to the finest point, the Variable-Focal lens now incorporates a newly developed focus gear mechanism (Patent Pending).



### New "Fine Adjust" mechanism

With a very subtle movement, finer, more accurate adjustment is possible.

Patent Pending

Normal Focus ring and lock screw

## JVC-Quality Vandal Protection

**Robust Dome Cover:** Using polycarbonate, a material offering superior intensity, it remains damage-free against strong shocks of over 50J\*.

**Robust Body:** Using die-cast aluminum for main unit, it assures complete vandal proofing.

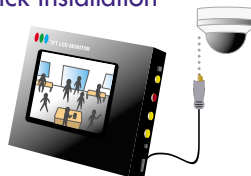
**IP66 compliant:** Designed to protect from water and dust, it's suitable for outdoor installation.

\* "J" stands for "Joule" which is the energy exerted by a force of one Newton acting to move an object through a distance of one meter.



## RCA Monitor Output for Quick Installation

An external monitor can be connected via the RCA jack. You can easily check the camera angle on the spot during or after installation.

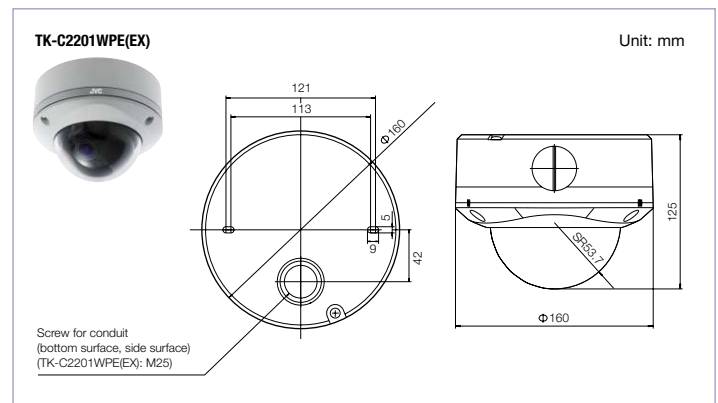


## Specifications

TK-C2201WPE(EX)

Signal system	PAL
Image device	1/3 type IT CCD
Number of effective pixels	440,000 (752H x 582V)
Sync system	Internal
Scanning system	2:1 interlace, 625 lines
Scanning frequency	15.625kHz (H), 50Hz (V)
Video output	Composite video signal: 1.0V (p-p), 75 ohms (BNC)
Video S/N ratio	52 dB (AGC off)
Horizontal resolution	600 TV lines
Minimum illumination (typical)	0.05 lx (50%, F1.2, AGC HIGH) 0.025 lx (25%, F1.2, AGC HIGH)
B&W mode	0.006 lx (50%, F1.2, AGC HIGH) 0.003 lx (25%, F1.2, AGC HIGH)
Iris control	DC iris
White balance	ATW (wide/narrow) / AWC / Manual (ATW colour temp. range: 2300K to 10,000K)
Day/Night	True D/N with IR cutoff filter
3DNR	NORMAL / HIGH
Display mode (Monitor type)	LCD1/LCD2/CRT
BLC	off/on (4 patterns)
AGC	OFF/MID/HIGH
Sens-up	off / x2 to x128
Digital zoom	x1, x1.4, x2
Privacy mask	4 areas
Focus adjustment mode	Yes
Lens	
Focal length (angle of vision)	2.8mm to 10.5mm, 3.75x vari-focal (100 (H) x 73 (V) to 24 (H) x 21 (V))
Aperture ratio	F1.2 (f=2.8mm) to F3.6 (f=10.5mm)
Angle Adjustment range	Horizontal: 350°, Vertical: ±80°, Rotation: ±100°
Power supply	24VAC (50Hz/60Hz) / 12VDC
Power consumption	220 mA without optional heater, 1 A including heater
Operating temperature range	-10°C to 50°C -30°C to 50°C with optional heater (0°C to 40°C recommended)
Dust and water proof	IP66
Vandal protection	Vandal Proof
Dimensions (WxHxD)	ø160mm x 125mm (H)
Weight (approx.)	1.3kg
Optional accessory	KA-ZH215U Heater unit

## Dimensions



Note: Screen images are explanatory purpose and not actual images attained using this product. All brand or product names may be trademarks and/or registered trademarks of their respective owners. Copyright © 2011, Victor Company of Japan, Limited. All Rights Reserved.

# JVC®

DISTRIBUTED BY

Design and specifications subject to change without notice.