

JVC®

The Perfect Experience / —

1/3" CCD COLOUR VIDEO CAMERA

TK-C1530E

(AC24V / DC12V)

TK-C1531EG

(AC220 to 240V)

0.05 lx * **Super LoLux™**
(in B&W mode)

0.4 lx * **Super LoLux™**
(in Colour mode)

High performance day and night camera under very low light applications



540TV Lines

True Day / Night

* This is a simulated image

- 1/3" IT CCD with 440,000 effective pixels
- 540TV lines of horizontal resolution
- Day and Night function (IR cut filter switching)
- Super LoLux sensitivity
 - 0.4 lx (F1.2, AGC ON, 25 IRE, colour mode)
 - 0.05 lx (F1.2, AGC ON, 25 IRE, B&W mode)
- Signal – to – Noise Ratio : 50 dB (AGC OFF)
- Revolutionary integrated 10-bit Digital Signal Processor (DSP)
- Full featured security camera
 - Built-in camera menu
 - Various white balance modes (2 ATW/AWC/Manual)
 - Display mode : selectable CRT or LCD

- Smart Edge Control mode (S.E.C.)
- Automatic gain control (AGC) : OFF / ON (HIGH/SUPER)
- Back light compensation (BLC) off / on (4 patterns)
- Sync systems : INT/Line lock
- Scene file function
- Private mask function
- RS-422A/RS-485 interface
- Focus adjustment function
- Support DC / Video iris lens
- C/CS mount lens compatible
- Built-in AUX terminal
- Automatic power detection (AC24V / DC12V)(TK-C1530E)
(AC220 to 240V : TK-C1531EG)

The TK-C1530E and TK-C1531EG are true day/night cameras with 540 TV lines resolution. Allowing for 24-hour monitoring across a broad range of indoor and outdoor applications.

Security/Surveillance demands is strongly increasing every year and especially under 24-hours outdoor application, there is a strong requirement to have both high sensitivity and picture images at low lighting conditions. The new TK-C1530E and TK-C1531EG have been designed to fully assist this kind of market request as stand-alone or remote devices featuring true day/night, 540TVL resolution and new features such as Smart Edge control, display mode, scene file, private mask, etc.

Super LoLux sensitivity

TK-C1530E and TK-C1531EG feature a 1/3" interline transfer CCD. Advanced technology and digital signal processing deliver totally pure colour reproduction and an excellent signal-to-noise ratio of 50 dB, using IR cut filter switching function, a low light level of 0.05 lux is achievable in B/W mode.

Smart Edge Control (S.E.C.mode)

JVC cameras provide a high-quality image output at 540TV lines horizontal resolution but the market demands even higher image quality. To meet such demands, the Smart Edge Control (S.E.C) is incorporated to provide superior image resolution and clarity.

*Noise may be apparent with some scenes.

Display mode

While only CRT monitors were once used for CCTV applications, due to the recent trend toward flat panel displays, LCD monitors are now commonly used for CCTV. Therefore, JVC has incorporated CRT and LCD monitor modes into the cameras to match the camera output to the monitor used.

Automatic white balance

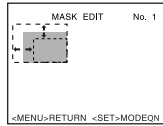
As above, 24-hours outdoor application is strongly required and it means a variety of lamps used in the street. Considering this kind of customer's choice, TK-C1530 prepares 2 modes of automatic white balance.

Focus adjustment function

When the focus adjustment function is turned "on", the lens iris is focused fully open for about 30 seconds before returning to its original position. This results in a shallow depth of field (high speed shutter) and makes it much easier to adjust focus.

Private mask

Using the private mask function, operators can mask selected areas for the purpose of surveillance near privacy areas. Up to 4 mask can be set up under the angle of view.

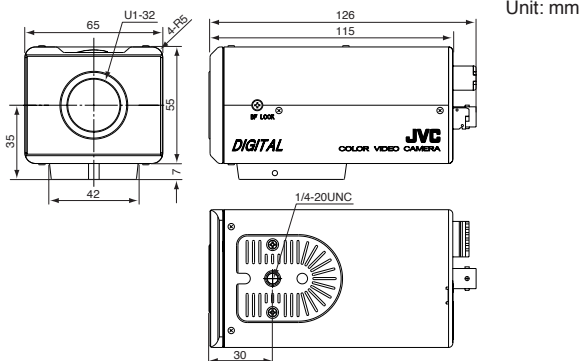


Scene file function

Up to 4 video parameters on menu is able to preset and using external trigger via AUX or remote interface, able to switch to applicable video parameter (Scene File).



Dimensions

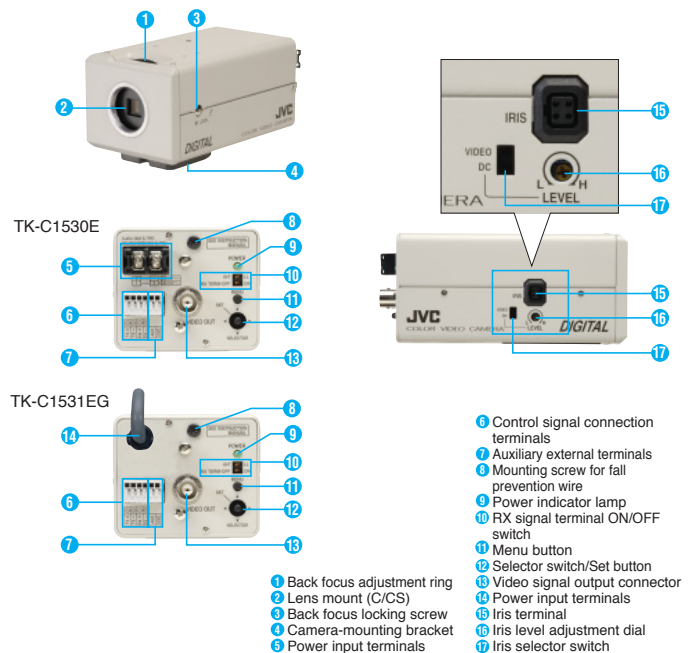


Unit: mm

Specifications

Item	TK-C1530E/TK-C1531EG
Pick-up Device	1/3" IT CCD
Effective Pixels	440,000 (752 H x 582 V)
Scanning System	2:1 interlace
Synchronization	Internal, Line-locked
Line-locked Phase	Adjustable
Video Output	1.0 V (p-p) , 75Ω , BNC
Horizontal Resolution	540 TV lines
Signal-to-noise Ratio	50dB (TYP) at AGC OFF
Minimum Illumination	
Colour mode	0.4 lx (25 IRE, F1.2, AGC SUPER)
B&W mode	0.05 lx (25 IRE, F1.2, AGC HIGH)
Control signal	RS-422A or RS-485, 9600 bps
AUX Input/Output	Input: B/W mode selection input Output: B&W / Colour output B/W : make, Colour : Break
Camera Menu	Built-in
Scene File memory	OFF/ON (up to 4 files)
Private Mask	OFF/ON Edit mode: up to 4 mask able to set up
Focus adjustment switch	By menu
Gain Control	OFF/ON (HIGH/SUPER)
White Balance	ATW (wide / narrow) / AWB/Manual
Display mode	CRT or LCD selectable
Electronic Shutter	Normal (1/50) or AES (1/50 - 1/10000 sec)
Iris Level	Adjustable
BLC	ON/OFF
Auto Iris Lens Control	DC / Video iris
Lens Mount	C or CS
Power Source	AC24 V / DC12 V (TK-C1530E), AC220 - 240 V (TK-C1531EG)
Power Consumption	420mA(TK-C1530E), 77mA (TK-C1531EG)
Ambient Temperature	-10°C to 50°C (14°F to 122°F)
Dimensions	65(W) x 55(H) x 126(D) mm (Approx.)
Weight	Approx. 480 g (TK-C1530E), 700g (TK-C1531EG)

Controls, connectors and indicators



Design and specifications subject to change without notice.



DISTRIBUTED BY



■ The Hachioji Plant of Victor Company of Japan, Ltd., has received ISO14001 and ISO9001 Certifications under the global standard for environmental management.