



IndigoVision

Complete IP Video Security Solutions



BX600 HD Bullet Camera

Seamless Open Standard HD Video

IndigoVision's BX600 HD Bullet Camera forms part of our complete IP video security solution, fully integrated with IndigoVision's SMS4™ management software and Network Video Recorders.

The IndigoVision BX camera range provides an open standards solution while retaining the resilience of IndigoVision's unique distributed serverless architecture, with no bottlenecks and no single-point-of-failure.

- 2 Megapixel HD Progressive Scan
- Remote Zoom & Focus
- Built-in IR Illumination
- ONVIF Conformant
- H.264 Compression with up to 30fps
- Day/Night with Auto Mechanical IR filter





IndigoVision's BX camera range provides a 1080p HD resolution and conformance to the ONVIF open standard. The cameras are designed to integrate seamlessly to SMS4™ and form part of our end-to-end solution.

Built-in IR illumination provides maximum image quality in low light without the need for an additional lighting source.

A powerful remote zoom and focus feature is available as standard. This enables the camera lens to be remotely driven on-demand by any authorized user from anywhere on the IP network, simplifying installation and reducing on-going cost of ownership.

Camera Product Codes

	Standard Lens with Remote Zoom and Focus	
	PAL Region*	NTSC Region
BX600 HD Bullet Camera	511767	511766

* Default frame rate for PAL Region is 25fps, configurable up to 30fps.

Recording Codes

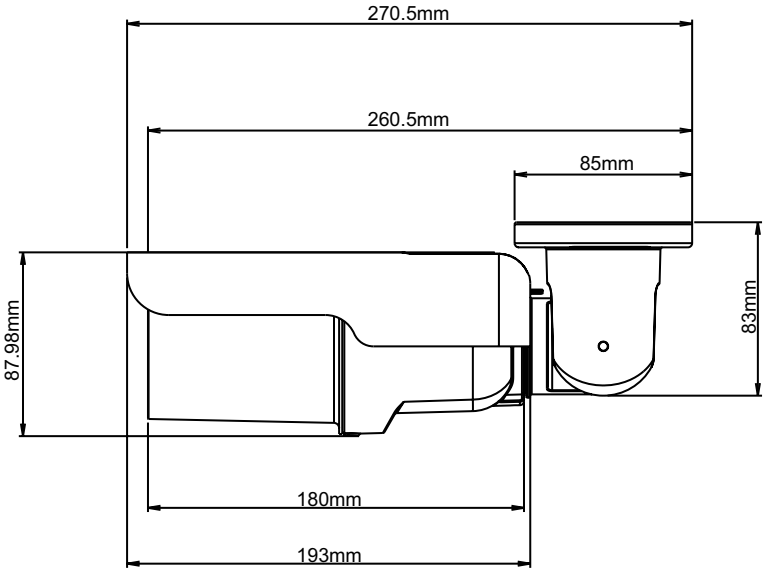
The BX camera range conforms to the ONVIF Standard and can be recorded to any of the IndigoVision NVR-AS range. Licenses for recording can be purchased separately.

Number of Channels	1	Additional 1	1 Failover	Additional 1 Failover	Multivolume Unlimited	Multivolume Unlimited Failover
NVR-AS 3000 Recording	314001		314071		N/A	N/A
Windows NVR-AS Recording*	312001*	312551	312071*	312072	312700*	312099

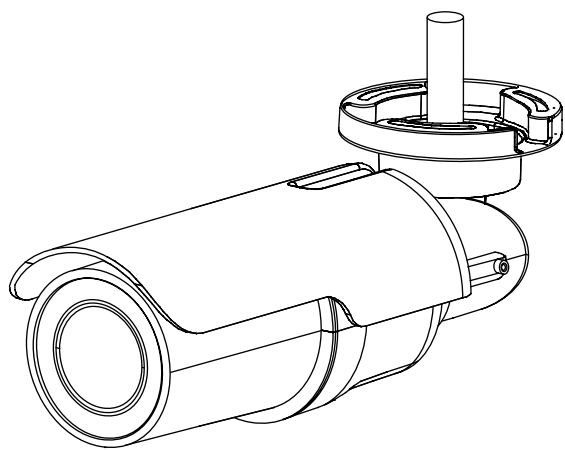
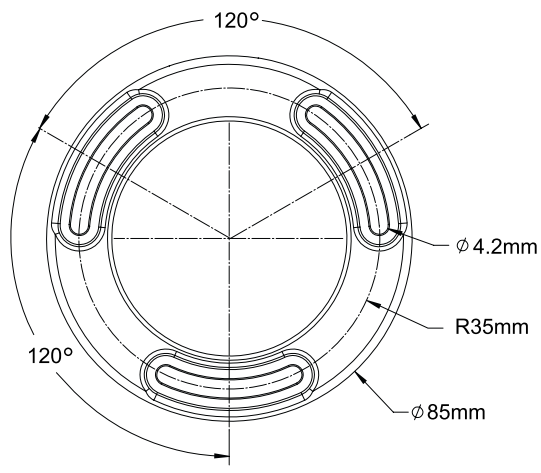
*Recording of cameras from the IndigoVision BX range requires a USB license dongle for each Windows recording server. The Windows NVR-AS software is included on the SMS4™ management software CD, **product code: 317802**

*Includes dongle

Dimensions



Mounting Hole Pattern



Specification

Camera Features

Image Sensor	1/2.7" Progressive CMOS												
Active Pixels	2 Megapixel												
Lens Options	Standard: 3mm - 9mm, Horizontal view angle 103.5° (W) 34.3° (T) , F1.2, Vari-focal, M14 mount with Remote Zoom/Focus												
Day/Night	True day/night with Mechanical IR Cut Filter												
Sensitivity (30IRE, F1.2)	Day: 0.2 lux; Night: 0.02 lux												
in IR Illuminator	850nm wavelength, effective distance 25m												
Iris Control	Auto-iris DC drive lens as standard												
WDR	Low/Medium/High												
Dynamic Range	69dB												
Gain Control	Automatic or fixed manual setting across a 40dB range												
Shutter Speeds	1 to 1/10000 sec												
White Balance Mode	Auto; Manual; ATW												
Back Light Compensation	On or Off												
Mirror Mode	On or Off												
Video Compression	Full frame rate, full color: H.264/MJPEG ; up to 30fps												
Video Bit Rate	User-configurable bit rates from 64Kbps up to 8Mbps												
Multi-streaming	<table border="1"> <thead> <tr> <th>Stream 1</th> <th>Stream 2</th> <th>Framerate</th> </tr> </thead> <tbody> <tr> <td>1080p</td> <td>D1</td> <td>@ 30fps</td> </tr> <tr> <td>1080p</td> <td>1080p</td> <td>@ 15fps</td> </tr> <tr> <td>720p</td> <td>720p</td> <td>@ 30fps</td> </tr> </tbody> </table>	Stream 1	Stream 2	Framerate	1080p	D1	@ 30fps	1080p	1080p	@ 15fps	720p	720p	@ 30fps
Stream 1	Stream 2	Framerate											
1080p	D1	@ 30fps											
1080p	1080p	@ 15fps											
720p	720p	@ 30fps											
Resolution	1080p: 1920 x 1080 pixels; 720p: 1280 x 720 pixels; D1: 720 x 480 pixels												
Audio Input	Line in, Mic in												
Audio Output*	Line out												
Binary Input/Output	1 input ; 1 solid state opto-isolated relay output												
Analytics**	Motion Detection												
Network interface	IEEE802.3 and IETF standards: 10/100 Base-T Ethernet, TCP, UDP, ICMP, IGMP, SNMP, HTTP Up to 4 simultaneous unicast video users or unlimited multicast users												
Time	Embedded real-time clock, NTP client												
Regulatory	EN 55022(1998) ITE - Class A; EN 55024(1998) ITE immunity standard; CFR47(1995) Part 15 subpart B -Class A												
Electrical	Camera only: Power over Ethernet (802.3af Class 0) or 12V DC / 24V AC; Power consumption: 5.5W Camera including heater: 12V DC / 24V AC; Power consumption: 24W (Power supply not included)												
Housing	Diecast Aluminium Alloy with Polycarbonate sun shade												
Dimensions/Weight	84mm (dia.) x 193mm (h)/0.94Kg (with sun shade)												
Ingress Protection	IP66												
Operating Temperature	PoE powered: 0°C(32°F) to +50°C (122°F) External PSU: -30°C(-22°F) to +50°C (122°F)												
IndigoVision System Software Requirements	SMS4™ r3 or later												

* Not currently supported in IndigoVision SMS4™

** Supported with SMS4™ r5 or later