



IndigoVision

Complete IP Video Security Solutions



9000 PTZ IP Dome Cameras

Our ultra-low latency gives operators sharp camera control, with every frame guaranteed.

IndigoVision's range of 9000 PTZ IP dome cameras are designed to be used with the company's complete end-to-end IP Video solution and have class-leading H.264 compression technology built-in. The 9000 PTZ cameras are fully compatible with IndigoVision's SMS4, Security Management software and its range of Network Video Recorders. IndigoVision's guarantee never to drop a frame and ultra-low latency provide excellent image quality.

- Standard and Environmental options
- Day/Night with Auto Mechanical IR filter
- Image Stabilization
- Ultra-low latency, essential for smooth PTZ control
- Wide dynamic range
- Outstanding low light performance
- Progressive or Interlace scan options
18x, 35x and 36x optical zoom

Product Codes

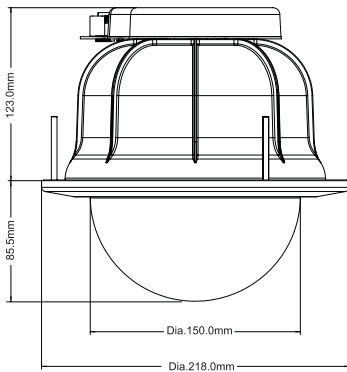
9000 PTZ IP Camera (PAL Region)	18x Lens		35x Lens		36x Lens	
	9000S	9000E	9000S	9000E	9000S	9000E
In-Ceiling	749143	769143	749543	769543	749343	769343
Standard Pendant	749148	769148	749548	769548	749348	769348
Environmental Pendant	749149	769149	749549	769549	749349	769349

9000 PTZ IP Camera (NTSC Region)	18x Lens		35x Lens		36x Lens	
	9000S	9000E	9000S	9000E	9000S	9000E
In-Ceiling	749142	769142	749542	769542	749342	769342
Standard Pendant	749146	769146	749546	769546	749346	769346
Environmental Pendant	749147	769147	749547	769547	749347	769347

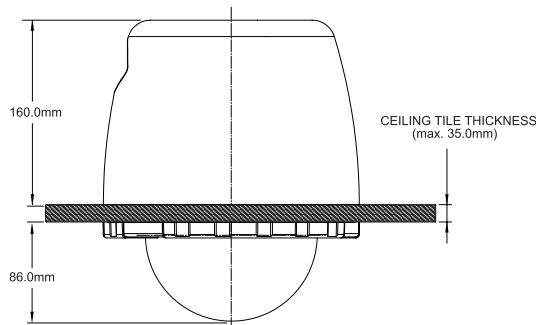
The 9000E product allows full frame rate video, at full 4SIF resolution.

The 9000S product allows the camera to be recorded at full frame rate at SIF resolution, half frame rate at 2SIF and one third frame rate at 4SIF resolution

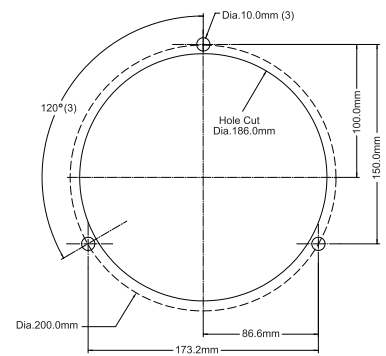
Dimensions - In-ceiling



In-Ceiling Dome

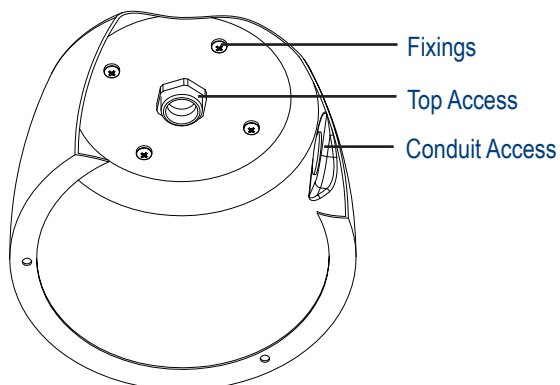


Plenum Rated Back Box

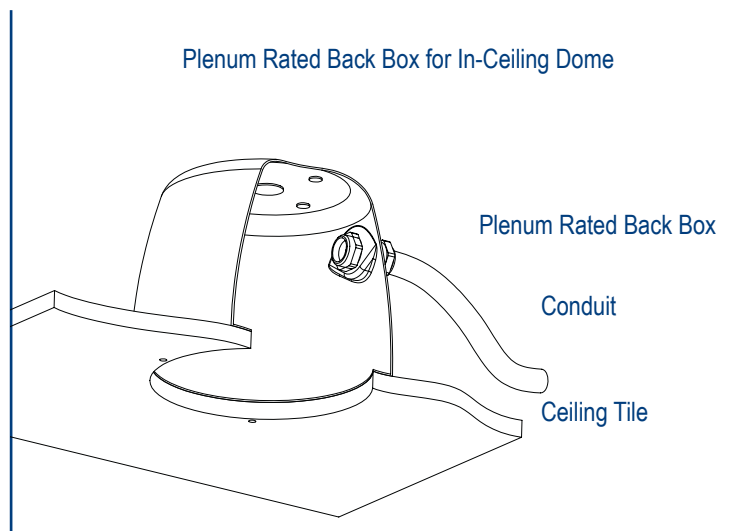


Hole Cutting Dimensions

Surface Mount for In-Ceiling Dome

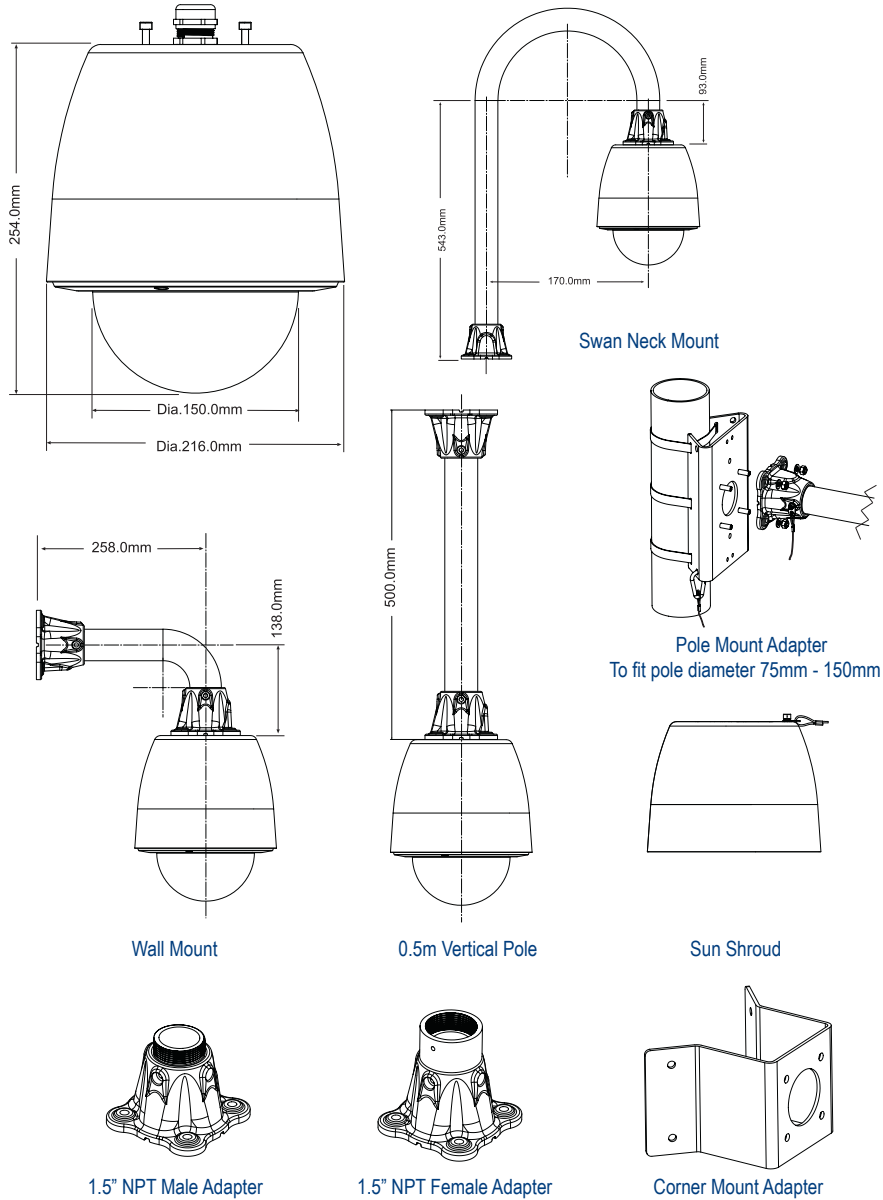


Plenum Rated Back Box for In-Ceiling Dome



Dimensions - Pendant Camera & Mounts

Mounts and accessories are separately orderable.



Mounts and Accessories	Order Code
In-Ceiling PTZ Plenum Rated Back Box	110097
In-Ceiling PTZ Surface Mount	110099
Pendant PTZ Dome Corner Mount Bracket	110082
Pendant PTZ Dome Wall Mount	110084
Pendant PTZ Dome Swan-Neck Mount	110085
Pendant PTZ Dome 0.5m Vertical Pole	110086
Pendant PTZ Dome Pole Mount Adapter	110096
Pendant PTZ Dome 1.5" NPT Adapter (Male)	110087
Pendant PTZ Dome 1.5" NPT Adapter (Female)	110088
Pendant PTZ Dome Clear Lens Cover	110080
Pendant PTZ Dome Dark Tint Lens Cover	110081
Pendant PTZ Dome Sun Shroud	110065

Specification

Optical																			
Zoom order options	18x optical + 12x digital	35x optical + 12x digital	36x optical + 12x digital																
Lens	4.1mm to 73.8mm, F1.4 to F3.0	3.4mm to 119mm, F1.4 to F4.2	3.4mm to 122.4mm, F1.6 to F4.5																
Scan Mode	Interlaced	Progressive or Interlaced	Interlaced																
Horizontal View Angle	2.8° to 48°	1.7° to 55.8°	1.7° to 57.8°																
Day/Night	Yes	Yes	Yes																
Wide dynamic range	Yes	Yes	Yes																
Image Stabilizer	No	Yes	No																
Min Sensitivity	F1.4, 50 IRE 0.07 lx at (color), 0.01 lx (mono) NTSC at 1/4 sec, PAL at 1/3 sec	F1.4, 35 IRE 0.05 lx (color), 0.01 lx (mono) NTSC at 1/4 sec, PAL at 1/3 sec	F1.6, 50 IRE 0.1 lx (color), 0.01 lx (mono) NTSC at 1/4 sec, PAL at 1/3 sec																
Resolution	>540 TVL	>540 TVL	>540 TVL																
General																			
Sensor	1/4 Sony ExView HAD, 752(H) x 582(V)																		
Signal/noise ratio	>50 dB																		
Shutter/Iris/Focus	Automatic with manual override																		
Manual Shutter Speeds	1 to 1/10000 sec.																		
White Balance/Gain/IR Filter	Automatic																		
Binary Input/Output	2 opto-isolated inputs; 1 solid state, opto-isolated relay output																		
Video Compression	Full frame rate, full color: H.264; (ISO 14496-10): 25/30fps guaranteed																		
Video Bitrate	User configurable from 32Kbps to 6Mbps																		
Multi-Streaming	Up to 16 simultaneous unicast video users plus unlimited multicast users																		
Dual Encoding	<table border="0"> <thead> <tr> <th></th> <th>A</th> <th>B</th> <th></th> </tr> </thead> <tbody> <tr> <td>4SIF</td> <td>1 Stream</td> <td>1 Stream</td> <td>Combine one selection from column A</td> </tr> <tr> <td>2SIF</td> <td>2 Streams</td> <td>2 Streams</td> <td>plus one selection from column B:</td> </tr> <tr> <td>SIF</td> <td>3 Streams</td> <td>3 Streams</td> <td>e.g. 1x4SIF stream plus 2x2SIF streams</td> </tr> </tbody> </table>				A	B		4SIF	1 Stream	1 Stream	Combine one selection from column A	2SIF	2 Streams	2 Streams	plus one selection from column B:	SIF	3 Streams	3 Streams	e.g. 1x4SIF stream plus 2x2SIF streams
	A	B																	
4SIF	1 Stream	1 Stream	Combine one selection from column A																
2SIF	2 Streams	2 Streams	plus one selection from column B:																
SIF	3 Streams	3 Streams	e.g. 1x4SIF stream plus 2x2SIF streams																
Resolution	4SIF: 704 x 576 pixels 2SIF: 704 x 288 pixels SIF: 352 x 288 pixels (PAL) 4SIF: 704 x 480 pixels 2SIF: 704 x 240 pixels SIF: 352 x 240 pixels (NTSC)																		
Network Protocols	TCP, UDP, IGMP, SNMP, HTTP, FTP, NTP																		
Network Interface	This camera complies with IEEE 802.3u, 100BASE-TX Fast Ethernet																		
Network Security	Embedded Linux Firewall. Salted passwords, with MD5 encryption																		
Time	Embedded real-time clock, NTP client																		
Regulatory	EN 55022(1994) ITE emission standard Class A; EN 55024(1998) ITE immunity standard Class A; EN 61000-3-3(1995) voltage fluctuation EN 61000-3-2(1995) mains harmonics Class A; CFR47(1995) Part 15 subpart B; UL2044 (In-Ceiling with Plenum Rated Back Box)																		
PTZ Control																			
Presets	250	Pan Range	360° continuous rotation																
Preset Accuracy	0.05°	Tilt Range	-5° (above horizon) to +90° (vertically down)																
Preset Tours	100 each with 20 presets	Pan/Tilt Speed	0.001°/s to 360°/s																
Pattern/Mimic Tours	4 each with up to 1 minute	Preset Move Speeds	200°/s																
Privacy Zones	24 User Defined	Picture Freeze Option	Yes																
Form Factor	In-Ceiling	Standard Pendant	Environmental Pendant																
Operating Voltage	24V AC/DC @ 1A	24V AC/DC @ 1A	24V AC/DC @ 2.3 A																
Power Consumption	24W; Surge protection 24V DC power supply included	24W; Surge protection 24V DC power supply included	55W; Surge protection 24V DC power supply included																
Weight	2.7 Kg	5.5 Kg	5.7 Kg																
Housing	Polypropylene	Vandal Resistant die-cast aluminium	Vandal Resistant die-cast aluminium																
Bubble Construction	Optical grade Polycarbonate	Optical grade Polycarbonate	Optical grade Polycarbonate																
Storage Temp	-20°C (-4°F) / +70°C (158°F)	-20°C (-4°F) / +70°C (158°F)	-20°C (-4°F) / +70°C (158°F)																
Sustained Min/Max Temperature	0°C (32°F) / +40°C (104°F)	-5°C (23°F) / +50°C (122°F)	-20°C (-4°F) / +50°C (122°F)																
Absolute Maximum Temperature	+45°C (133°F) for periods of 1 hour	+60°C (140°F) for periods of 1 hour	+60°C (140°F) for periods of 1 hour																
Ingress Protection	N/A	IP67	IP67																