



IndigoVision

Complete IP Video Security Solutions



11000 HD PTZ IP Dome Cameras

HD PTZ Cameras with guaranteed full frame rate at astonishingly low bandwidths.

IndigoVision's range of HD PTZ Dome Cameras are designed to be used with the company's complete end-to-end IP Video Solution. Class leading H.264 compression technology provides outstanding video quality with astonishingly low bandwidths. Ultra-low latency gives operators sharp camera control, and every frame is guaranteed.

IndigoVision's IP Video solution allows advanced features such as Activity Controlled Framerate (ACF) and camerabased real-time analytics to be deployed in the camera itself. These features reduce the bandwidth and NVR storage requirements during periods of scene inactivity and allow the user to deploy advanced analytics to identify events as they occur in real-time.

- Low bandwidths: 2 Mbps typical
6 Mbps under full motion
- Progressive scan for stunning quality
on PC monitors
- H.264 HD full frame rate guaranteed
- Day/Night with Auto Mechanical IR filter
- 10x Optical Zoom + 12x Digital Zoom
- Wide range of mounts

Product Codes

11000 PTZ IP Camera (PAL Region)		10x Lens	
	11000S		11000E
In-Ceiling	541143		561143
Standard Pendant	541148		561148
Environmental Pendant	541149		561149

Default frame rate for PAL Region is 25fps and can be configured up to 30fps.

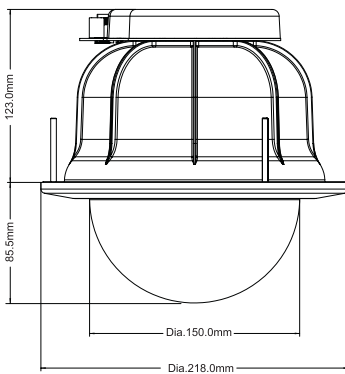
The 11000E product allows full frame rate video, at full 720p resolution. The 11000S product allows 1/3 frame rate video, at full 720p resolution.

11000 PTZ IP Camera (NTSC Region)		10x Lens	
	11000S		11000E
In-Ceiling	541142		561142
Standard Pendant	541146		561146
Environmental Pendant	541147		561147

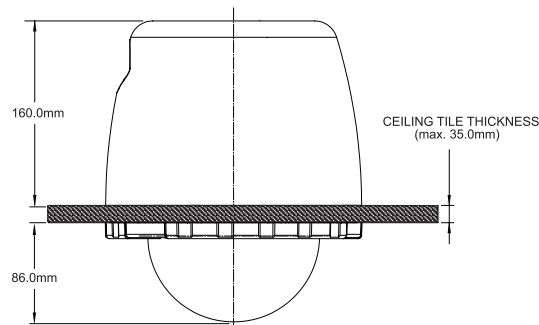
Default frame rate for NTSC Region is 30fps.

The 11000E product allows full frame rate video, at full 720p resolution. The 11000S product allows 1/3 frame rate video, at full 720p resolution.

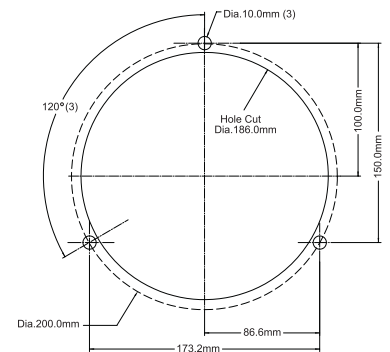
Dimensions - In-ceiling



In-Ceiling Dome

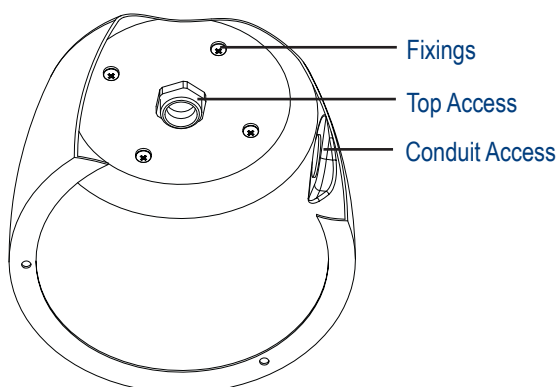


Plenum Rated Back Box

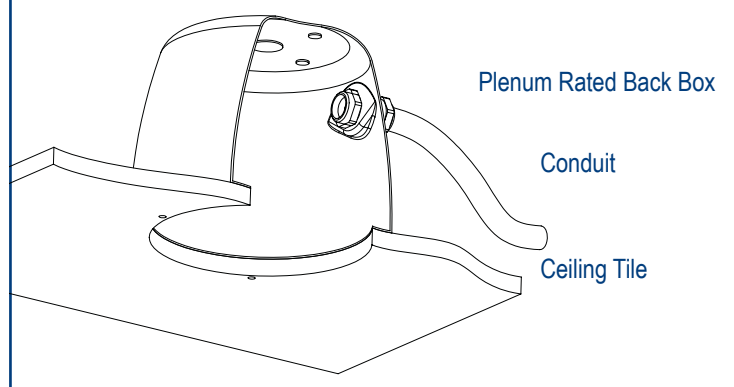


Hole Cutting Dimensions

Surface Mount for In-Ceiling Dome

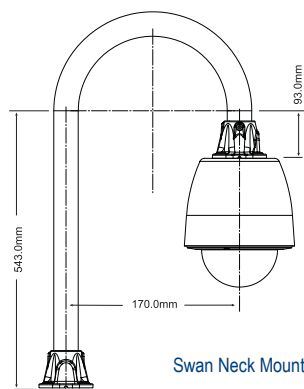
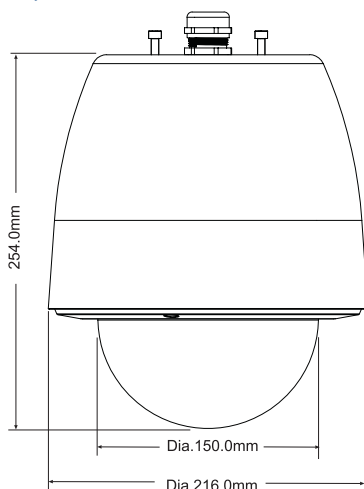


Plenum Rated Back Box for In-Ceiling Dome

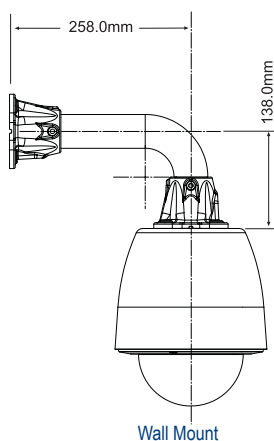


Dimensions - Pendant Camera and Mounts

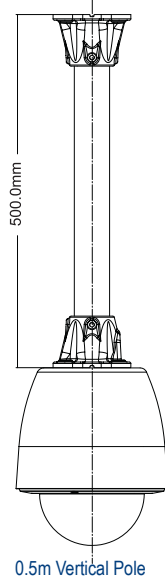
Mounts and accessories are separately orderable.



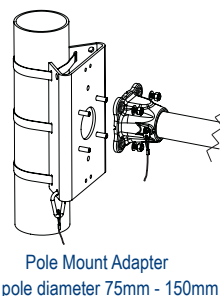
Swan Neck Mount



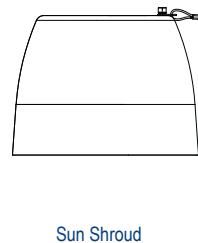
Wall Mount



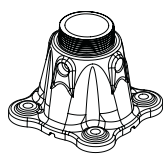
0.5m Vertical Pole



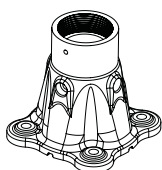
Pole Mount Adapter
To fit pole diameter 75mm - 150mm



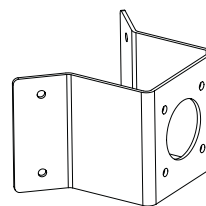
Sun Shroud



1.5" NPT Male Adapter



1.5" NPT Female Adapter



Corner Mount Adapter

Mounts and Accessories	Order Code
In-Ceiling PTZ Plenum Rated Back Box	110097
In-Ceiling PTZ Surface Mount	110099
Pendant PTZ Dome Corner Mount Bracket	110082
Pendant PTZ Dome Wall Mount	110084
Pendant PTZ Dome Swan-Neck Mount	110085
Pendant PTZ Dome 0.5m Vertical Pole	110086
Pendant PTZ Dome Pole Mount Adapter	110096
Pendant PTZ Dome 1.5" NPT Adapter (Male)	110087
Pendant PTZ Dome 1.5" NPT Adapter (Female)	110088
Pendant PTZ Dome Clear Lens Cover	110080
Pendant PTZ Dome Dark Tint Lens Cover	110081
Pendant PTZ Dome Sun Shroud	110065

Specification

General Specifications

Video Resolution	720p HD (1280 x 720 pixels), Widescreen 16:9
Frame Rate	30 fps guaranteed
Day/Night	True day/night with mechanical IR Cut Filter
Min Sensitivity	Day: 1.0 Lux (30 IRE, F1.8, 1/15s shutter) Night: 0.1 Lux (30 IRE, F1.8, 1/15s shutter)
Sensor	1/3" HD CMOS, 2 Megapixel
Zoom	10x optical + 12x digital
Lens	5.1mm to 51mm, F1.8 to F2.1, Autofocus with manual override
Scan Mode	Progressive
Horizontal View Angle	5.4° to 50°
Dynamic Range	> 50dB
Electronic shutter Speed	1/2 to 1/10000 sec. (21 steps)
Auto gain control	Auto/Manual (0 to +18 dB)
Exposure control	Full auto, Shutter-priority, Iris-priority, Manual, Backlight compensation
Binary Input/Output	2 opto-isolated inputs; 1 solid state opto-isolated relay output
Video Compression	Full frame rate H.264 (ISO 14496-10): 30 / 25 fps guaranteed
Video Bitrate Cap	256Kbps to 8Mbps per stream. User configurable
Multi-Streaming	Up to 32Mbps total video output Unlimited multicast connections Up to four 8Mbps unicast connections Up to sixteen 1Mbps unicast connections
Network Protocols	TCP, UDP, IGMP, SNMP, HTTP, FTP, NTP
Network Interface	This camera complies with IEEE 802.3u 100BASE-TX Fast Ethernet
Network Security	Embedded Linux firewall. Salted passwords, with MD5 encryption
Time	Embedded real-time clock, NTP client
Console Port	RS232
Regulatory	EN 55022(1994) ITE emission standard Class A; EN 55024(1998) ITE immunity standard Class A; CFR47(1995) Part 15 subpart B EN 61000-3-2(1995) mains harmonics Class A; EN 61000-3-3(1995) voltage fluctuation

PTZ Control

Presets	250	Pan Range	360° continuous rotation
Preset Accuracy	0.05°	Tilt Range	-5° (above horizon) to +90° (vertically down)
Preset Tours	100 each with 20 presets	Pan/Tilt Speed	0.001°/s to 360°/s
Pattern/Mimic Tours	4 each with up to 1 minute	Preset Move Speeds	200°/s
Picture Freeze Option	Yes		

Form Factor	In-Ceiling	Standard Pendant	Environmental Pendant
Operating Voltage	24V AC/DC @ 1A	24V AC/DC @ 1A	24V AC/DC @ 2.3A
Power Consumption	24W; Surge protection 24V DC 24V DC power supply included	24W; Surge protection 24V DC power supply included	55W; Surge protection 24V DC power supply included
Weight	2.7Kg	5.5Kg	5.7Kg
Housing	Polypropylene	Vandal resistant die-cast aluminium	Vandal resistant die-cast aluminium
Bubble Construction	Optical grade polycarbonate	Optical grade polycarbonate	Optical grade polycarbonate
Storage Temp	-20°C (-4°F) / +70°C (158°F)	-20°C (-4°F) / +70°C (158°F)	-20°C (-4°F) / +70°C (158°F)
Sustained Min/Max Temperature	0°C (32°F) / +40°C (104°F)	-5°C (23°F) / +45°C (113°F)	-20°C (-4°F) / +45°C (113°F)
Absolute Maximum Temperature	+45°C (113°F) for periods of 1 hour	+55°C (131°F) for periods of 1 hour	+55°C (131°F) for periods of 1 hour
Ingress Protection	NA	IP67	+55°C (131°F)

