

Ikegami

GIVING NEW VALUE TO IMAGES

CCTV LCD Colour Monitors

ULM-152 (15-inch)

ULM-172 (17-inch)

ULM-192 (19-inch)



**with Metal frame
with Protection panel**

Ikegami ULM series monitors deliver an accurate colour reproduction and high resolution display required for CCTV video surveillance applications. The monitor displays natural images with minimal response delay and ghosting. The high-resolution panel delivers more than 16 million colours and includes an optimum brightness display facility.

- Space-Saving Flat Panel Design
- Looping 2 Composite inputs and S-video input
- High Performance Video Quality with De-interlace function
- PIP/POP, Remote Controller / DVI Input
- Max. Brightness of 450 cd/m² (ULM-152), 300cd/m² (ULM-172/ULM-192)
- Contrast Ratio of 1,000 :1 (ULM-172/ULM-192), 400:1 (ULM-152)
- Response time of 5ms (ULM-172/ULM-192), 16ms (ULM-152)
- 100/240 VAC, 60/50Hz Internal Power Supply
- Internal Speaker
- Optional Rack and Wall Mount, Simple Stand
- The monitors automatically adapt to appropriate input resolution (up to 1280 x 1024).

Ikegami CCTV LCD Colour Monitors

15-inch

ULM-152

17-inch

ULM-172

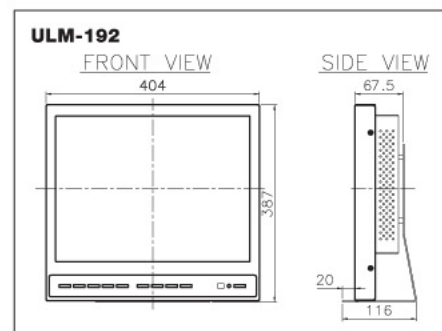
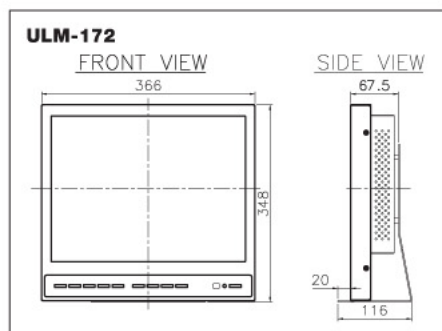
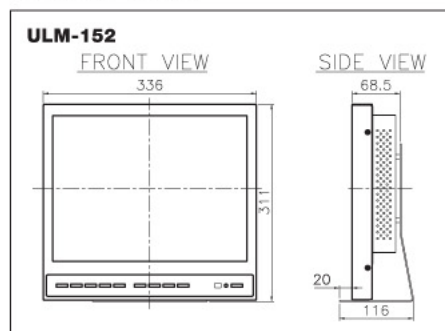
19-inch

ULM-192

Model name		ULM-152	ULM-172	ULM-192
Broadcasting System		PAL/NTSC System		
Panel	Inch	15"	17"	19"
	Pixel	1024 x 768, 75Hz	1280 x 1024, 75Hz	
	Aspect Ratio	4:3	5:4	
	Display Pixel (HxV)	1024 x 768 (XGA)	1280 x 1024 (SXGA)	
	Brightness(cd/m ²)	450cd/m ²	300cd/m ²	
	Contrast	400:1	1000:1	
	Response Time	16msec	8msec	
	Viewing Angle Degree	130°/100°	150°/135°	
	Active Display Area(mm)	304.1mm x 228mm	337.92mm x 270.34mm	376.32mm x 301.056mm
	Pixel Pitch(mm)	0.297mm x 0.297mm	0.264 x 0.264 (HxV)	0.294 x 0.294 (HxV)
	Backlight Type	4CCFL		
	Lamp Life	50,000 hours		
	Filter Type	3D Comb Filter / De-Interlace		
	Display Colours	16.2mil		16.7mil
	Front Panel Control	Menu, Sel, Vol, Video, PC, PIP, SWAP, Power		
	Indicators	LED (Power on, Standby)		
	Under Scan	N/A	Yes	
Video	Composite	Input	2ch input, 1.0Vp-p, 75ohm terminated, BNC type	
		Output	2ch, Looping Through, BNC type	
	Component	Input		
		Output	1ch (Y/C) Looping Through	
	S-Video	Input	1ch input(Y/C)	
		Output	1ch (Y/C) Looping Through	
VGA	Input	1ch		
DVI	Input	1ch		
Audio		Input	2ch, RCA	
		Output	2ch, RCA	
Built-in Speakers		Yes (Integrated, 1 x 0.5W)		
OSD	Language	5 languages (English / German / Spanish / French / Italian)		
Tempered Glass		Yes		
VESA mount interface		100mm pitch, VESA standard		
Frame Material		Metal		
Power		AC100-240VAC, 60/50 Hz Autoranging Internal Power Supply		
Power Consumption		28±3W	33±3W	37±3W
Dimensions	with stand	340mm x 313mm x 68mm	360mm x 347mm x 68mm	400mm x 385mm x 68mm
	Carton (with stand)	444mm x 465mm x 233mm	467mm x 490mm x 233mm	507mm x 523mm x 271mm
Weight	Unit weight (with stand)	5.6 kg	6.0 kg	7.0 kg
	Shipping weight(with stand)	7.6 kg	8.0 kg	9.3 kg

* This product is made of ECO friendly components based upon the Company policy and Corporate Social Responsibility to help Global Environmental solution for energy conservation and environmental sustainability, and all the components used in this product are Non-hazardous, Toxic Free, Non-Lead materials and parts conforming with Japan's Green Product Regulation, EU's RoHS Directive, and other environmental and hazardous chemical substances related regulations and laws.

Dimensions Unit:mm



Ikegami Electronics (Europe) GmbH

URL:<http://www.ikegami.de>

Ikegami Strasse 1, D-41460 Neuss, Germany

TEL. +49-(0)2131-1230 FAX. +49-(0)2131-102820

UK CUSTOMER SUPPORT HELP LINE

TEL. +44-(0)560-043-3769

Design and specifications are subject to change without notice.



Accredited by the Dutch Council for Certification