

# Ikegami

GIVING NEW VALUE TO IMAGES

## ICD-851P ICD-853P ICD-855P

FULL 600 TVL PERFORMANCE



### FEATURES

#### High Resolution

High resolution of 600 lines using full digital image processing and unique algorithm technologies.

#### Intelligent Motion Detection & Tracking

Intelligent function that automatically detects motion of an object.

It can set a virtual fence so it sounds an alert if an object passes/enters/exits the virtual fence or virtual area.

#### Extended Dynamic Range

Actively control the gamma compensation.

#### High Sensitivity

The ICD-850 Series implements images of high sensitivity using the latest IT CCD technology.

#### Low Illumination

It uses digital signal technologies such as low illumination and day/night function that enables your camera to see objects even in the worst environment.

#### Superior Backlight Adjustment

When a object has a bright illumination or sunlight behind it, the camera automatically improves the shade picture quality.

The ICD-850 series is the latest addition to Ikegami's renowned stable of high sensitivity CCTV cameras which allow wider light spectrum coverage to the near infra-red wavelength to provide clear picture reproduction in very low light conditions. The ICD-850 series all have Day/Night function with the ICD-853P and ICD-855P having a well-designed electronically controlled moving filter system making these two cameras highly IR sensitive. All models come equipped with an improved CCD sensor providing higher resolution of 600TVL horizontal resolution in Colour and Monochrome modes. The whole series also benefit from enhanced video analytics and OSD control allowing easy set up of their many user friendly functions.

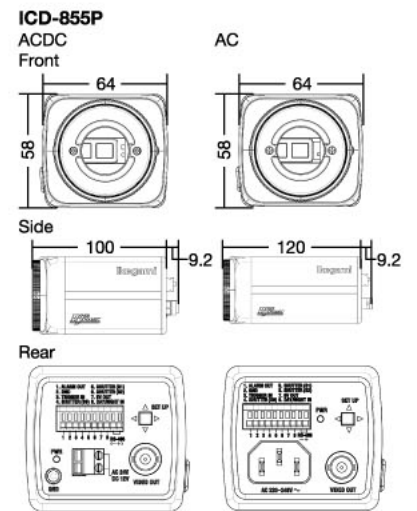
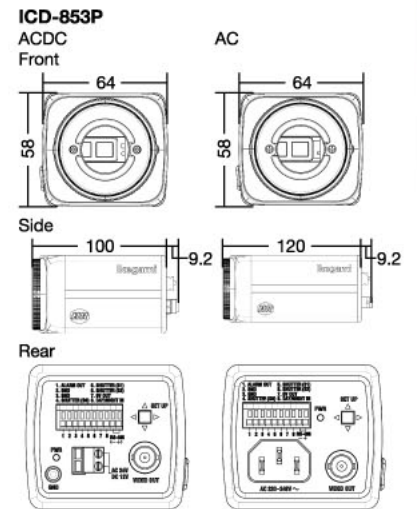
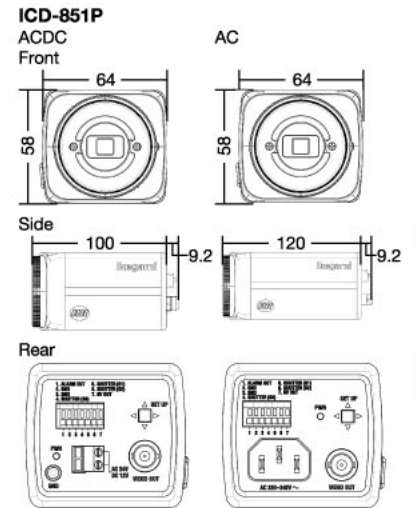
# ICD-851P ICD-853P ICD-855P



## ■ Specification

	ICD-851P	ICD-853P	ICD-855P
Video Format	PAL		
Image Sensor	1/3" Interline Transfer CCD		
Effective Pixel	752(H)x582(V) approx.440.000pixels		
Scanning system	625 lines at 50Hz, Interlace		625 lines at 50Hz, Interlace/Progressive
Video Output	VBS 1.0Vp-p/75Ω		
Resolution	600TVL		
Minimum Illumination	Colour mode:0.24lux/F1.2(30IRE) 0.0005lux	Colour mode : 0.24lux/F1.2(30IRE) 0.00047lux	
	0.4lux/F1.2(50IRE) 0.0008lux	0.4lux/F1.2(50IRE) 0.0008lux	
	B/W mode: 0.24lux/F1.2(30IRE) 0.0005lux	B/W mode : 0.024lux/F1.2(30IRE) 0.000047lux	
	0.4lux/F1.2(50IRE) 0.0008lux	0.04lux/F1.2(50IRE) 0.00008lux	
S/N	Approx. 52dB		
Day/Night Function	ACK	Moving IR cut filter	
Wide Dynamic Range Function	N/A		Off/On(x160)
Extended Wide Dynamic Range	Off/On(Level Setting)		
Virtual Progressive Scan	N/A		Off/On
Digital Zoom	Max x 16		
Number of Privacy Zone	12		
Motion Detection	OFF/Tracking/Detection		
High Speed Shutter	1/50~1/10000 (OSD / External control)		
Sens-Up	x2~x512		
Flikerless	Off/On		
Digital Noise Reduction	Off/On(Adaptive 3D+2D)		
Digital Image Stabilization	Off/On		
White Balance	ATW/ATW2/AWC/3200K/5600K		
PIP	Off/On		
BLC	off/On(Area Setting)		
AGC	Off/On(Max.Level Setting)		
ELC	Off/On(~1/200K sec)		
Line Lock	Off/On (Phase control)		
Camera ID	Off/On (Max.54ea/2Line)		
Intelligent video	Fixed/Moved	Fixed/Moved, Fence	
Etc.Function	Detail, Reverse(H/V). Posi/Nega		
Lens Mount	CS/C		
Alarm	Alarm input N/A, Alarm output x 1		
Remote Control	N/A	RS-485 Communication	
Operating Temperature	-10°C~+50°C		
Power Requirement	AC24 ±10%(50Hz ±0.3Hz)	DC12V ±10%	220V ±10%(50Hz ±0.3Hz)
Power Consumption	AC24V:2.2W DC12V:3.5W	AC24V:2.3W DC12V:2.9W	AC24V:3.2W DC12V:4.4W
Dimensions	AC230V : W64 x H58 x D109.2mm		
	AC24/DC12V : W64 x H58 x D129.2mm		
Weight	AC230V 305g approx.		AC24/DC12V 395g approx.

## ■ Dimensions



**AUTHORISED PARTNER**

Design and specifications are subject to change without notice.



**Ikegami Electronics (Europe) GmbH** URL <http://www.ikegami.de> <http://www.ikegami.co.uk>  
Ikegami Strasse 1, D-41460 Neuss, Germany TEL.+49-(0)2131-1230 / FAX.+49-(0)2131-102820  
**UK CUSTOMER SUPPORT HELP LINE** TEL.+44-(0)560-043-3769