

**HYPER
HD
DYNAMIC**

ICD-376

Hyper Dynamic™ Color CCD Camera



Description

The ICD-376 is a 1/4-inch Progressive IT- CCD Color Camera with 380,000 pixels for NTSC. Hyper Dynamic™ range circuit and Digital Signal Processing (DSP) facilitate optimum back-light compensation under the most adverse lighting conditions. Unlike other cameras of this type the ICD-376 provides high-resolution, high-sensitivity, high-quality pictures.

Features

■ Hyper Dynamic™

Over 166-times dynamic range compensates for a scene where conventional BLC(Back Light Compensation) cannot compensate for saturation, low pedestal level, and large lighting differential.

■ High Quality Picture and High Resolution

Over 470TVL horizontal resolution and appropriate detail compensation function provides crisp, sharp images.

■ High Sensitivity Circuit Design

The camera delivers high sensitivity with a minimum illumination of 0.04 lux/f1.2 with maximum 32X electrical sensitivity up function.

■ Built-In Varifocal Auto-Iris Lens

The camera has a 2.6mm to 6mm (33.4 to 73.7 degrees) varifocal auto-iris lens, There is no need to worry about lens selection.

■ Auto White Balance

Auto white balance of automatic tracking type is employed. Appropriate correction can always be achieved to compensate for changes in color temperature of the object.

■ On Screen Set-Up Menu

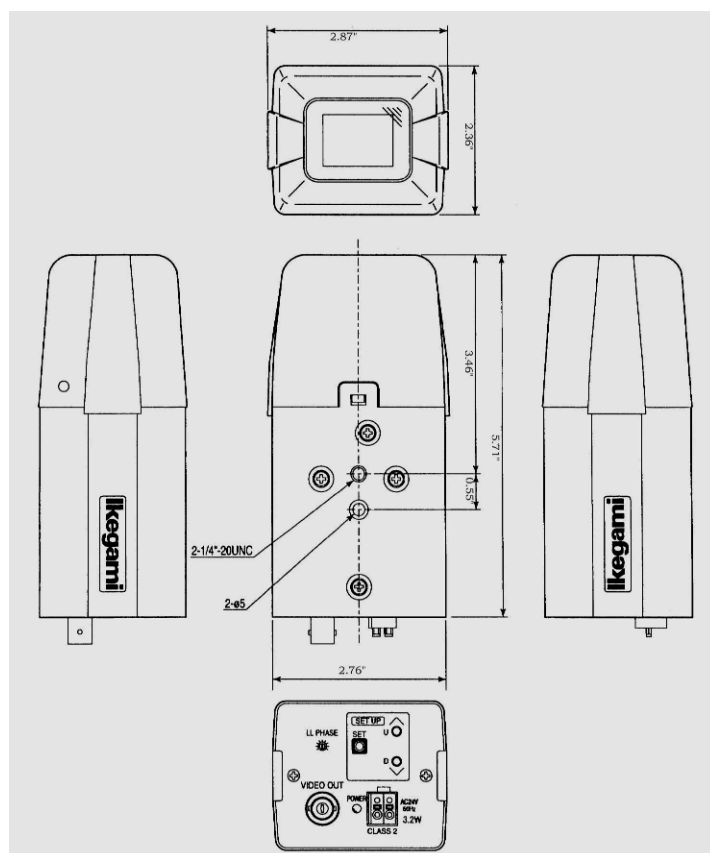
The camera has an on-screen set-up menu. You can set up NEG/POS, AGC On/Off, WHITE BAL, CAMERA ID, SENSIVITY, ALC LEVEL (HYPER DYNAMIC On/Off and Level adjustment), and SYNC Int / L.L.

ICD-376

Specifications

Pickup Device	1/4" Progressive IT-CCD NTSC:758(H) X 504(V), approx. 380,000 pixels	Camera Mount Connector	1/4"-20UNC (Top and Bottom) VBS Output --- BNC AC24V --- 2P Push in terminal
Sync System	Internal Crystal lock or AC Line lock	Size	2.76(W) x 2.36(H) x 5.71(D) inches
Video Output	Composite Out VBS 1.0Vp-p/75 Ohm NTSC	Weight	0.89 lbs.
Horizontal Resolution	470 TV Line	Accessories	Operation Manual
S/N Ratio	48 dB (p-p/rms) (Under Luminance, Standard illumination, Detail off, Weigh on)	Safety Standard	UL / c-UL
Minimum Illumination	2.5 Lux / f1.2(AGC On, Lens Wide Side) 0.04 Lux / f1.2 (Electronic Sensitivity Up On, X32, Lens Wide Side)		
AGC	On (Low / Normal / High Selectable) and Off Switchable		
Picture Select	Positive / Negative Picture Selectable		
Auto White Balance	ATW / Manual Selectable, Adjustable		
Detail Compensation	Detail On Fixed		
Back Light Compensation	Hyper Dynamic On (Level Adjustable) and Off Switchable		
Hyper Dynamic Range	Maximum X 166 Adjustable		
Built-in Lens	Focal Distance : 2.4 mm to 6 mm (Manual Variable Focal Adjustment) Equivalent : 3.6 mm to 9.0 mm 1/3" format		
Focusing Range	1.33 feet		
Shooting Field Angle	Full Wide : 73.7deg(H), 58.7 deg(V) Full Tel. : 33.4 deg(H), 25.4 deg(V)		
Electronic Shutter	Off, 1/100, 1/125, 1/500, 1/1000, 1/2000, 1/4000, 1/10,000, 1/30,000		
Camera ID	1 line, 8 characters		
Local Setup	Using 3 buttons and set on OSD system		
Function	All Local Setup Functions are available.		
Power Requirement	AC24V +- 10%, 60Hz NTSC		
Power Consumption	Less than 3.2W		
Ambient Temperature	-10° C to +50° C (13.5°F ~ 122°F)		

Dimensions



HYPER DYNAMIC OFF

HYPER DYNAMIC ON



Ikegami IKEGAMI ELECTRONICS (U.S.A.), INC.

■ URL <http://www.ikegami.com>

HEADQUARTERS 37 BROOK AVENUE, MAYWOOD, NJ 07607
Phone: (201) 368-9171 Fax: (201) 569-1626

WEST COAST OFFICE 20603 EARL STREET, TORRANCE, CA 90503 Phone: (310) 370-2400 Fax: (310) 370-7131

SOUTHWEST OFFICE TWO DALLAS COMMUNICATIONS COMPLEX, 6309 NORTH O'CONNOR ROAD, SUITE 117
IRVING, TX 75039-3510 Phone: (972) 869-2363 Fax: (972) 556-1057

MIDWEST OFFICE 747 CHURCH ROAD, UNIT C4, ELMHURST, IL 60126 Phone: (630) 834-9774 Fax: (630) 834-8689

SOUTHEAST OFFICE 5200 N.W. 33RD AVENUE, SUITE 111 FORT LAUDERDALE, FL 33309 Phone: (954) 735-2203 Fax: (954) 735-2227